



Series 112

Motorized Ceiling Fan Filter Unit

The Series 112 is a fan filter unit (FFU), or it is sometimes called a MCF (motorized ceiling filter). This fan filter unit is a self-contained filter unit that draws air in through a top-mounted prefilter. It then blows the air out the other side through a HEPA or ULPA filter into a controlled space. A typical application is installing it into a 2 ft. x 4 ft. ceiling grid system, however, fan filter units can also be mounted on a support frame or suspended from a support structure.

The galvanized steel blower housing screws to the top of an aluminum-framed HEPA or ULPA filter. The internal direct drive blower/motor assembly is isolated from the exterior housing by torsion flex motor mounts and rubber vibration isolation mounts. Internal acoustical foam baffles reduce sound and enhance airflow uniformity.

Features

- ❖ Self-contained design
- ❖ Lightweight
- ❖ All-metal filter housing
- ❖ Easily installs into a 2 ft. x 4 ft. ceiling grid system
- ❖ Standard unit ships with a HEPA filter and prefilter
- ❖ Internal acoustical foam baffles for reduced sound
- ❖ UL listed
- ❖ Operates at low, medium, and high speeds



For more information or to download or fax this product from the web, simply go to:

www.cleanairproducts.com/112

Series 112 Motorized Ceiling Fan Filter Unit

The standard Series 112 fan filter unit is shipped with a HEPA filter, a clear anodized aluminum frame, and an integral white-painted expanded-metal grill on its face. The standard unit is tested with polystyrene beads.

The prefilter installs on the top of the fan filter unit and is changed without the use of tools. The standard unit ships with a 20 in. x 20 in. x 1 in. craft board framed fiberglass prefilter. The unit is designed to accept a 20 in. x 20 in. x 4 in. pleated filter for applications where a higher degree of prefiltering is required.

The Series 112 fan filter unit is a UL listed assembly that operates at 120 volts, 60 Hz. Each unit comes with an on/off switch for low, medium and high speeds, as well as an electrical junction box.

Speed Control

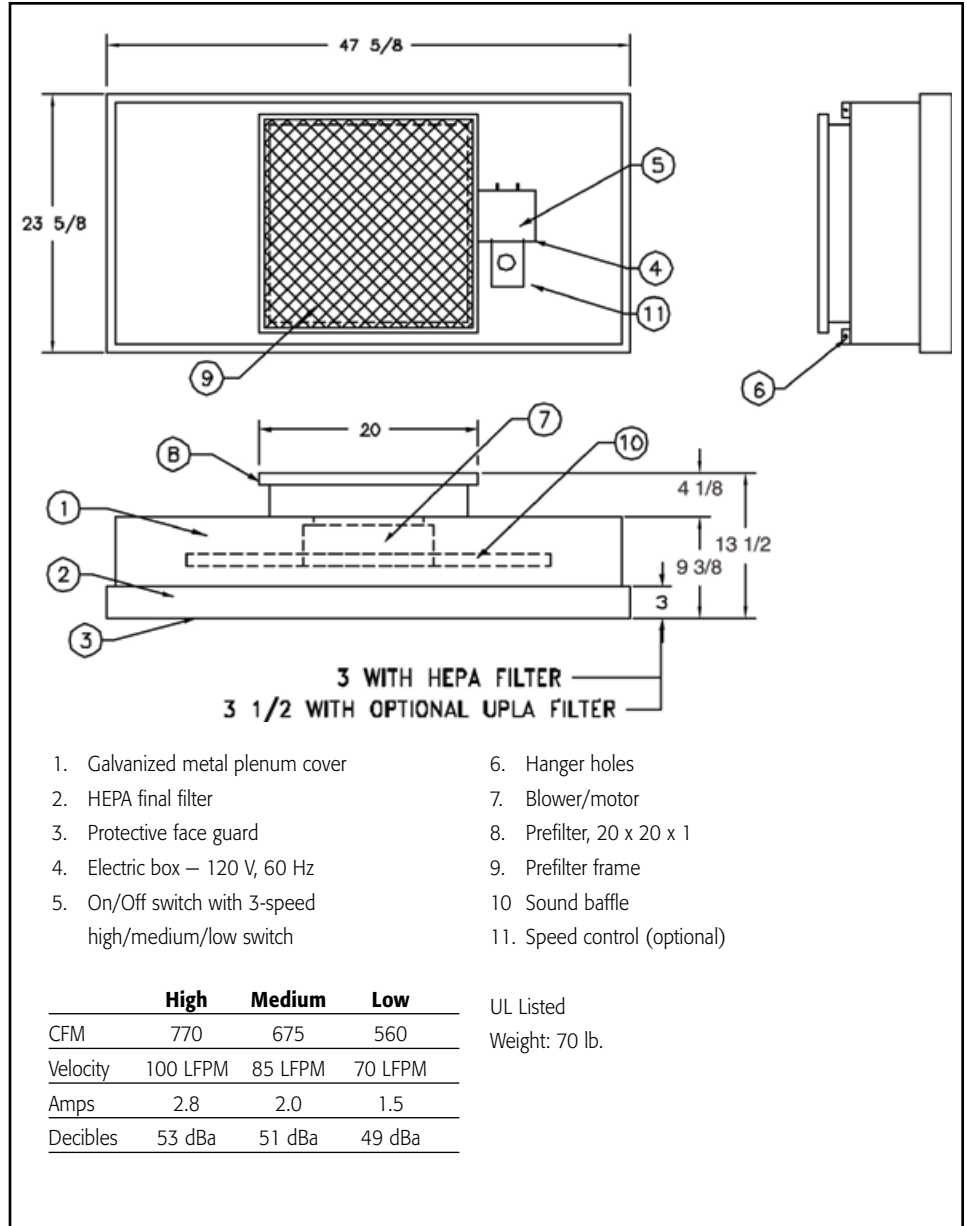
The CAP112 fan filter unit (FFU) has a 3-speed switch located on the top of the unit. Low, medium, and high speeds are selectable. The switch can be moved to compensate for filter loading. If closer airflow adjusting is required, see option 1 or 2.

Option 1

Manually adjustable variable speed control – located on top of the fan filter unit. The speed is adjusted by turning a knob on top of the fan filter unit.

Option 2

Automatic speed adjustment. This speed control has a built-in sensor that measures the airflow of the fan filter unit. Once set, it will maintain a constant velocity until the filters need to be changed – eliminating the need to manually increase filter speed.



Options:

- ULPA filter
- Painted steel blower housing
- Stainless steel blower housing
- Speed control
- Power cord
- 20 in. x 20 in. x 4 in. high capacity prefilters
- Plug together wiring cables
- 10 in. side inlet duct

- 10 in. top inlet duct
- In-line prefilter hood with 10 in. connector

Guarantee

A written 1 year warranty is furnished with each fan filter unit.

Specifications subject to change. Please contact factory for details.