



Series 1411

Fume Hood

S
N
O
I
T
U
T
O
S

Clean Air Products' fume hoods are available in several sizes and configurations. This flexibility allows our customers' requirements to be satisfied with a minimum of compromise.

For maximum chemical resistance, the fume hoods are fabricated out of stainless steel, polypropylene, or fire-retardant polypropylene. Safeguarding the operator was a prime concern in the design of this fume hood. An extensive list of options is available to adapt each fume hood to its particular application.

Features

- ❖ Designed for maximum chemical resistance
- ❖ Available in stainless steel, white polypropylene, or fire-retardant white polypropylene
- ❖ Units are available in 3, 4, 5, 6, and 8 ft. widths and 30, 36, and 42 in. depths. Other sizes are available upon request.
- ❖ Superior quality, excellent appearance, and ruggedness have been achieved through a safety-oriented design
- ❖ An extensive list of options are available to meet your application requirements

 For more information or to download or fax this product from the web, simply go to:
www.cleanairproducts.com/1411

Series 1411 Fume Hood

Additional Features

- Exhaust connection on top
- Adjustable damper
- Liquid tight spillage deck
- Fluorescent light with sealed light lens
- Exhaust air out rear and top
- Lower leg support (optional)

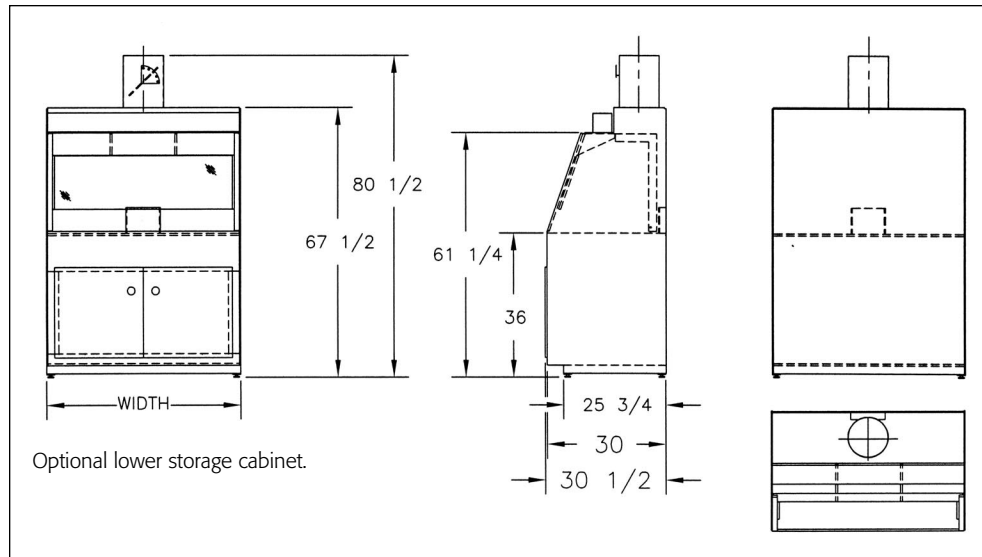
Sizes

Units are available in 3, 4, 5, 6, and 8 ft. widths and 30, 36, and 42 in. depths. Other sizes are available upon request.

Please contact the factory for additional details regarding construction and options.

Guarantee

A written 1 year warranty is furnished with each fume hood.



Specifications subject to change. Please contact factory for details.

Clean Air
PRODUCTS

Solutions Built to Your Specifications.

8605 Wyoming Ave. N. • Minneapolis MN 55445

tel: 763.425.9122 800.423.9728 fax: 763.425.2004

e-mail: sales@cleanairproducts.com www.cleanairproducts.com