

General Description

Clean Air Products' fume hoods are available in several sizes and configurations. This flexibility allows our customers' requirements to be satisfied with a minimum of compromise.

For maximum chemical resistance, the fume hoods are fabricated out of stainless steel, polypropylene or fire-retardant polypropylene. Safeguarding the operator was a prime concern in the design of this fume hood. An extensive list of options is available to adapt each fume hood to its particular application.

Features

- ❖ Exhaust connection on top
- ❖ Adjustable damper
- ❖ Liquid tight spillage deck
- ❖ Fluorescent light with sealed light lens
- ❖ Exhaust air out rear and top
- ❖ Lower leg support (optional)

Sizes

Units are available in 3, 4, 5, 6, and 8 ft. widths and 30, 36, and 42 in. depths. Other sizes are available upon request.

Please contact the factory for additional details regarding construction and options.

Series 1411



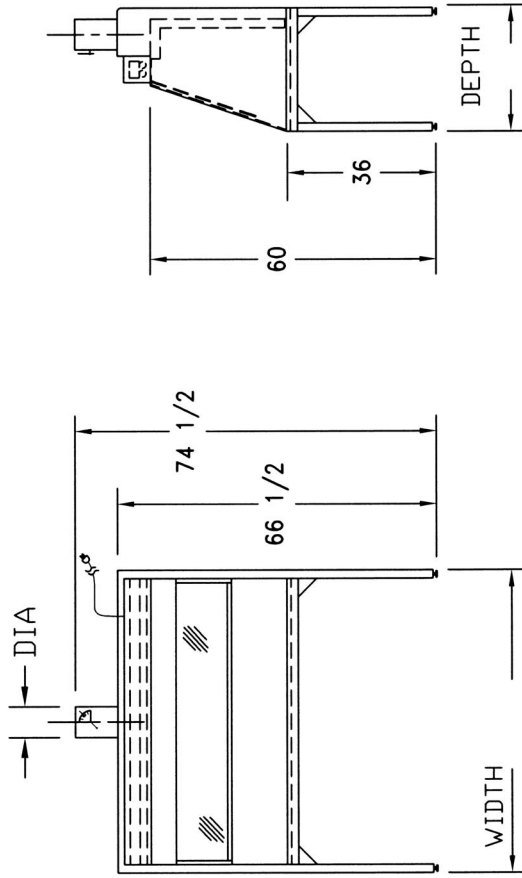
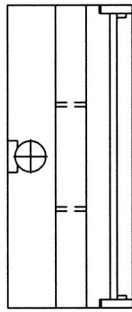
 For more information or to download or fax this product from the web, simply go to:
www.cleanairproducts.com/1411

WIDTH(FT)	DIA(IN)
3	8
4	10
5	10
6	12
7	2-8
8	2-10

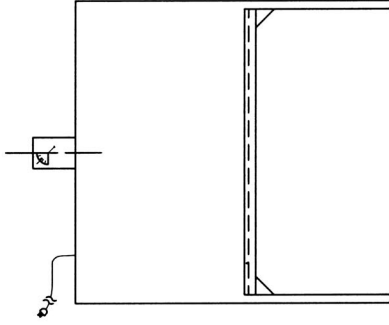
THE SERIES CAP1411 FUME HOODS ARE AVAILABLE IN STAINLESS STEEL, WHITE POLYPROPYLENE AND FIRE RETARDANT POLYPROPYLENE
 SIZES: THE UNITS ARE AVAILABLE IN 3, 4, 5, 6, 8 AND 10FT WIDTHS AND 30, 36 AND 42 INCH DEPTHS. OTHER SIZES ARE AVAILABLE UPON REQUEST.

PLEASE CONTACT THE FACTORY FOR ADDITIONAL DETAILS REGARDING CONSTRUCTION AND OPTIONS.

- EXHAUST CONNECTION ON TOP
- ADJUSTABLE DAMPER
- LIQUID TIGHT SPILLAGE DECK
- FLUORESCENT LIGHT W/SEALED LIGHT LENS
- EXHAUST AIR OUT REAR & TOP
- LOWER LEG SUPPORT(OPTIONAL)

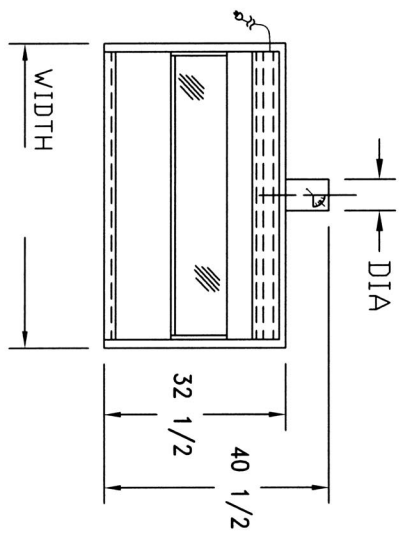
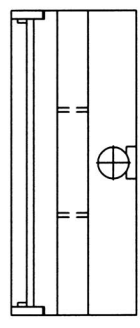


EXHAUST BLOWER BY OTHERS



CLEAN AIR PRODUCTS
 MINNEAPOLIS, MN. 55445 (763) 425-9122
 FUME HOOD
 CAP1411
 DRAWN BY CDG DATE 04-27-97 QUOTE NO.
 1411/forms/FN342-03 A
 FORM NO. PART NO.
 FN342-03

- EXHAUST CONNECTION ON TOP
- ADJUSTABLE DAMPER
- LIQUID TIGHT SPILLAGE DECK
- FLUORESCENT LIGHT W/SEALED LIGHT LENS
- EXHAUST AIR OUT REAR & TOP
- LOWER LEG SUPPORT(OPTIONAL)

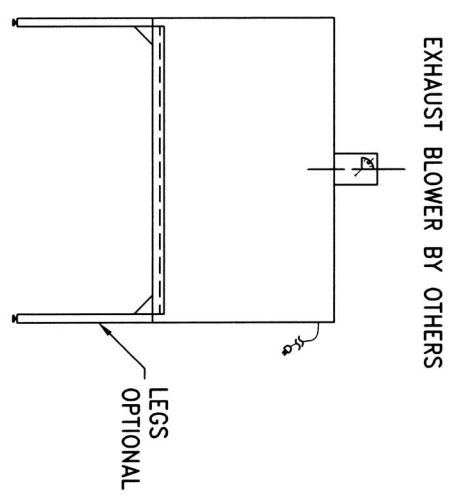
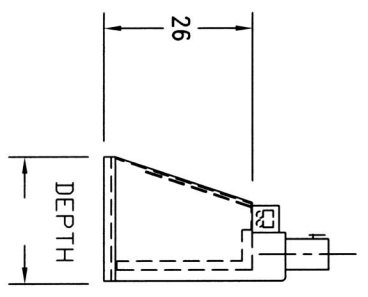


THE SERIES CAP1411 FUME HOODS ARE AVAILABLE IN STAINLESS STEEL, WHITE POLYPROPYLENE AND FIRE RETARDANT POLYPROPYLENE

SIZES: THE UNITS ARE AVAILABLE IN 3, 4, 5, 6, 8 AND 10FT WIDTHS AND 30, 36 AND 42 INCH DEPTHS. OTHER SIZES ARE AVAILABLE UPON REQUEST.

WIDTH(FT)	DIA(IN)
3	8
4	10
5	10
6	12
7	2-8
8	2-10

PLEASE CONTACT THE FACTORY FOR ADDITIONAL DETAILS REGARDING CONSTRUCTION AND OPTIONS.



CLEAN AIR PRODUCTS
 MINNEAPOLIS, MN. 55445 (763) 425-9122

FUME HOOD, TABLE TOP

CAP1411

DRAWN BY	CDG	DATE	04-27-97	QUOTE NO.	
FORM NO.	1411/FORMS/FN342-02		A		
PART NO.					

FN342-02

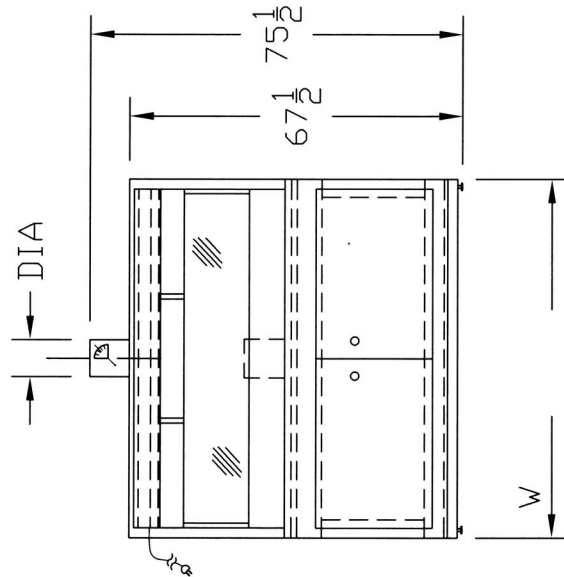
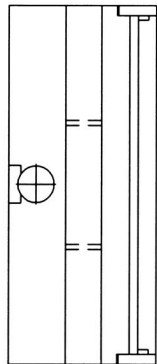
WIDTH(FT)	DIA(IN)
3	8
4	10
5	10
6	12
7	2-8
8	2-10

THE SERIES CAP1411 FUME HOODS ARE AVAILABLE IN STAINLESS STEEL, WHITE POLYPROPYLENE AND FIRE RETARDANT POLYPROPYLENE

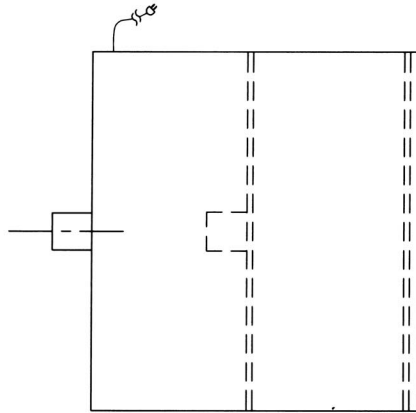
SIZES: THE UNITS ARE AVAILABLE IN 3, 4, 5, 6, 8 AND 10FT WIDTHS AND 30, 36 AND 42 INCH DEPTHS. OTHER SIZES ARE AVAILABLE UPON REQUEST.

PLEASE CONTACT THE FACTORY FOR ADDITIONAL DETAILS REGARDING CONSTRUCTION AND OPTIONS.

- EXHAUST CONNECTION ON TOP
- ADJUSTABLE DAMPER
- LIQUID TIGHT SPILLAGE DECK
- FLUORESCENT LIGHT W/SEALED LIGHT LENS
- EXHAUST AIR OUT REAR & TOP
- LOWER STORAGE CABINET



EXHAUST BLOWER BY OTHERS



CLEAN AIR PRODUCTS
MINNEAPOLIS, MN. 55445 (763) 425-9122

FUME HOOD w/ STORAGE CABINET
CAP1411

DRWN BY	W. MCG	DATE	7-18-96	QUOTE NO.	
FORM NO.	1411/FORMS/FN342-01	A		PART NO.	
					FN342-01

Specifications subject to change. Please contact factory for details.