

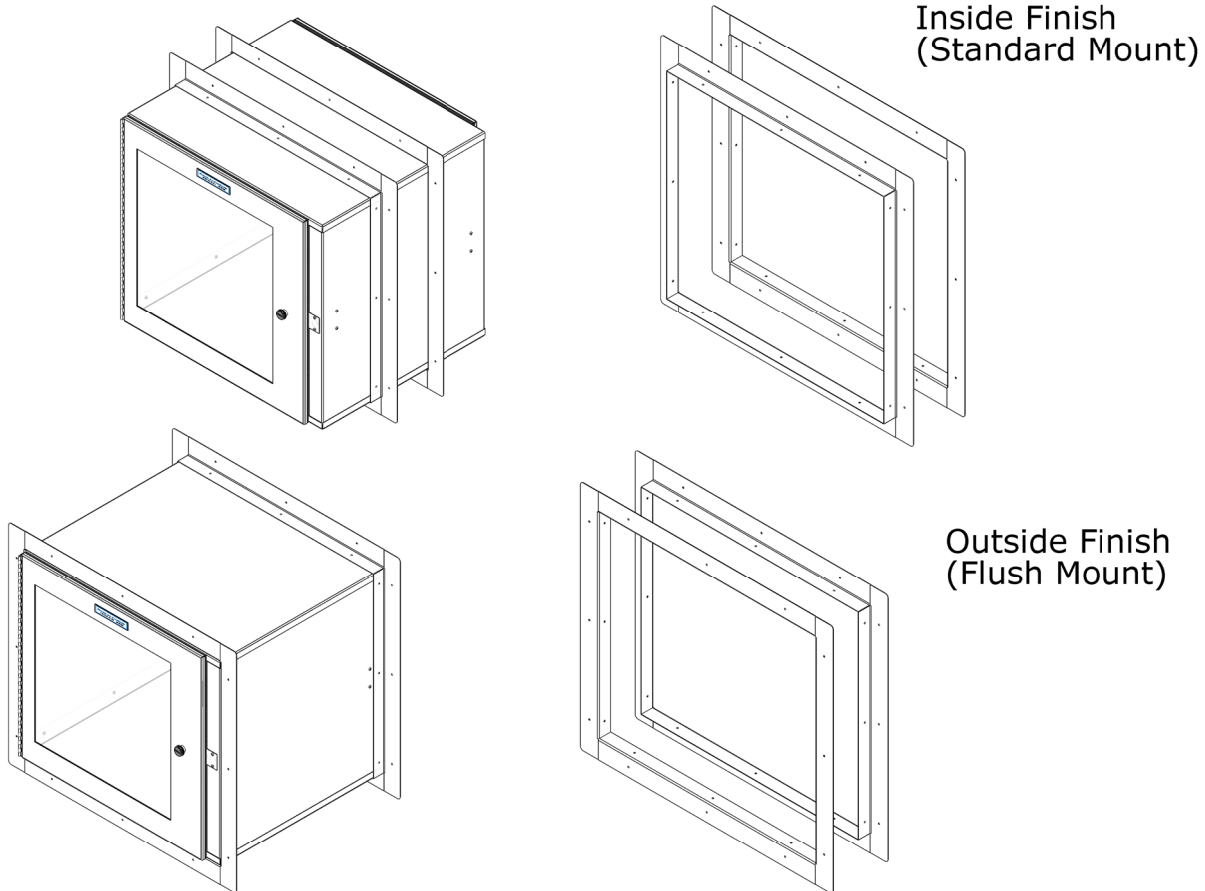
**Clean Air
PRODUCTS**

8605 WYOMING AVENUE NORTH • MINNEAPOLIS, MN 55445
800-423-9728 • ph: 763-425-9122 • fax: 763-425-2004
www.cleanairproducts.com

Pass Thru - Wall Mount CAP18W - Options Spec Sheet

Option: 8 Piece, stainless steel mounting frame

(CAP18W-SST-24Wx24Hx24D Shown Below)



8 piece stainless steel mounting frame:

The 8 piece mounting frame is normally purchased with each pass thru air lock. Mounting frames are easy to install and provide a clean look to cover any rough cut opening. Mounting frames are often ordered with one or both sides with reversed "outside" finish for flush wall mounting.

Mounting frames on all stainless steel and polypropylene pass thru units are 304 #4 finish stainless steel

A pass thru with an upgraded finish such as cold-rolled painted units or upgraded stainless steel such as type 316, can have mounting frames of the same material or finish upgrade.

Hardware for mounting frames are included.

Frame sets are installed and drilled per customer location in the field