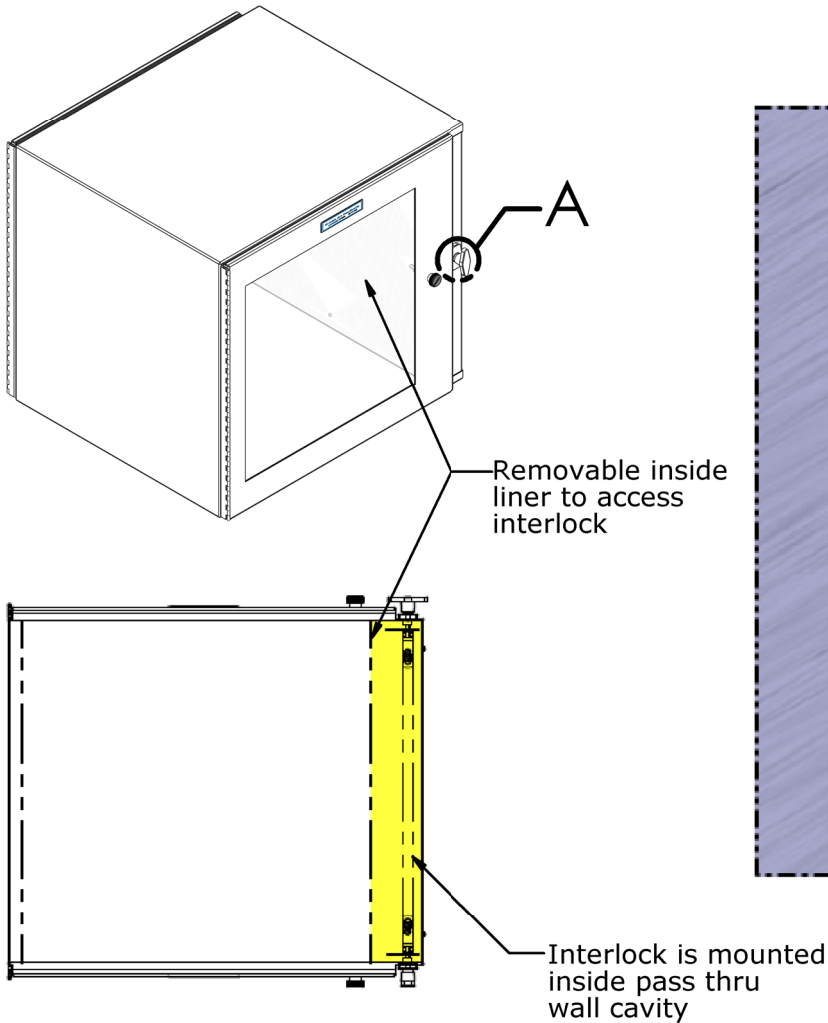
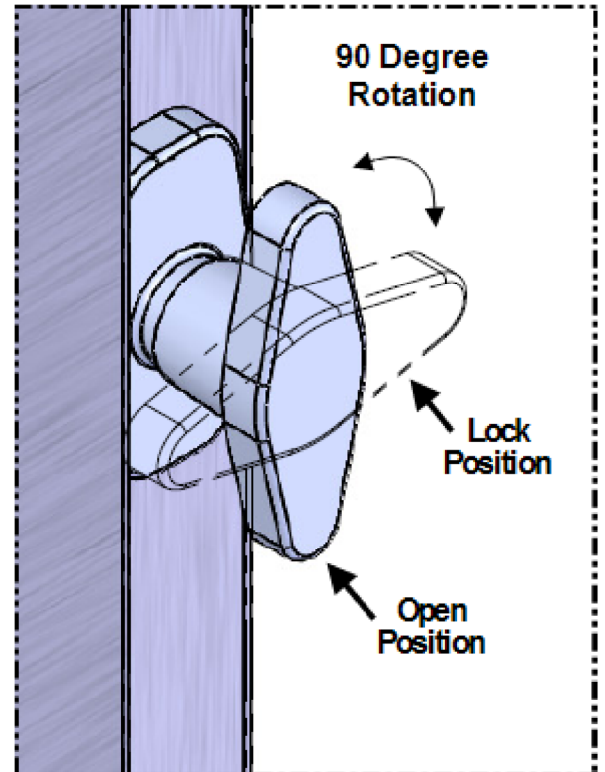


# ***Pass Thru - Wall Mount*** ***CAP18W - Options Spec Sheet*** **Option: Mechanical Interlock**



## Interlock Operation



Detail A

(18W-SST-24Wx24Hx24D Shown Above)

### **Mechanical Interlock:**

The mechanical interlock allows only one door to be open at a time. This function reduces contamination and controls air evacuation with pressurized clean rooms.

Our mechanical interlock is uniquely designed inside the pass thru wall cavity eliminating product interference, interlock damage, and allows inside surfaces to be thoroughly cleaned. Operation is one handed, and is available on most pass thru applications.