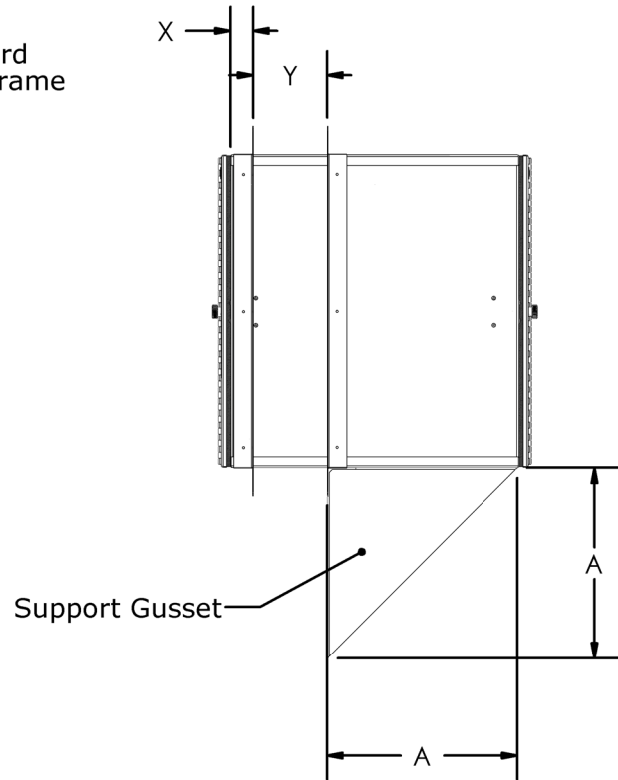
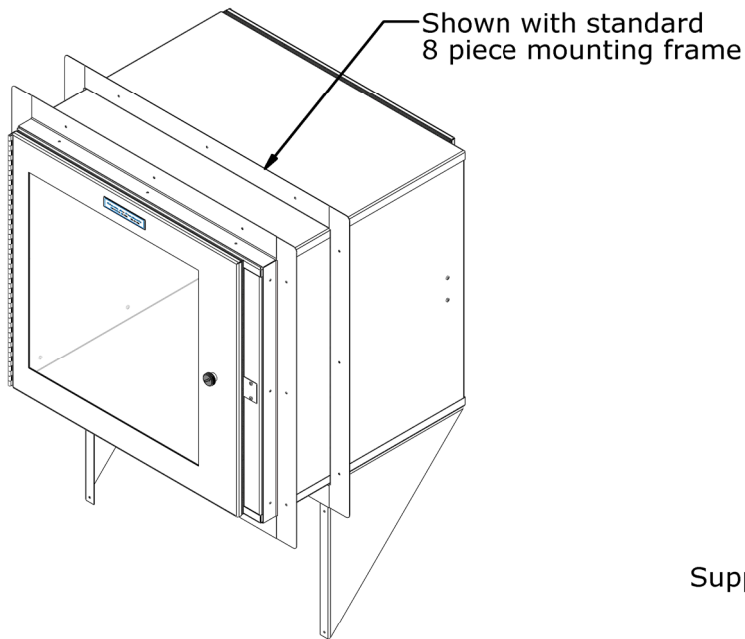


Pass Thru - Wall Mount CAP18W - Options Spec Sheet

Option: Support Gussets



(CAP18W-SST-24Wx24Hx24D Shown Above)

Critical Dimensions:

X = Distance offset from wall on clean side

Y = Wall thickness

A = Gusset size

(Specify these dimensions X and Y when ordering to maximize gusset size "A")

Support Gussets:

Support gussets provide support to a pass thru with a large depth, heavy contents, or flush mount orientation with one cantilevered side. (2) support gussets are included with the standard option.

Support gussets on all stainless steel and polypropylene pas thru units are type 304 #4 finish stainless steel.

A pass thru with upgraded finish such as cold-rolled painted units or upgraded stainless steel such as type 316, can have support gussets of the same material or finish upgrade.

Designed for use with most mounting frames combinations.

Hardware for gussets are included.