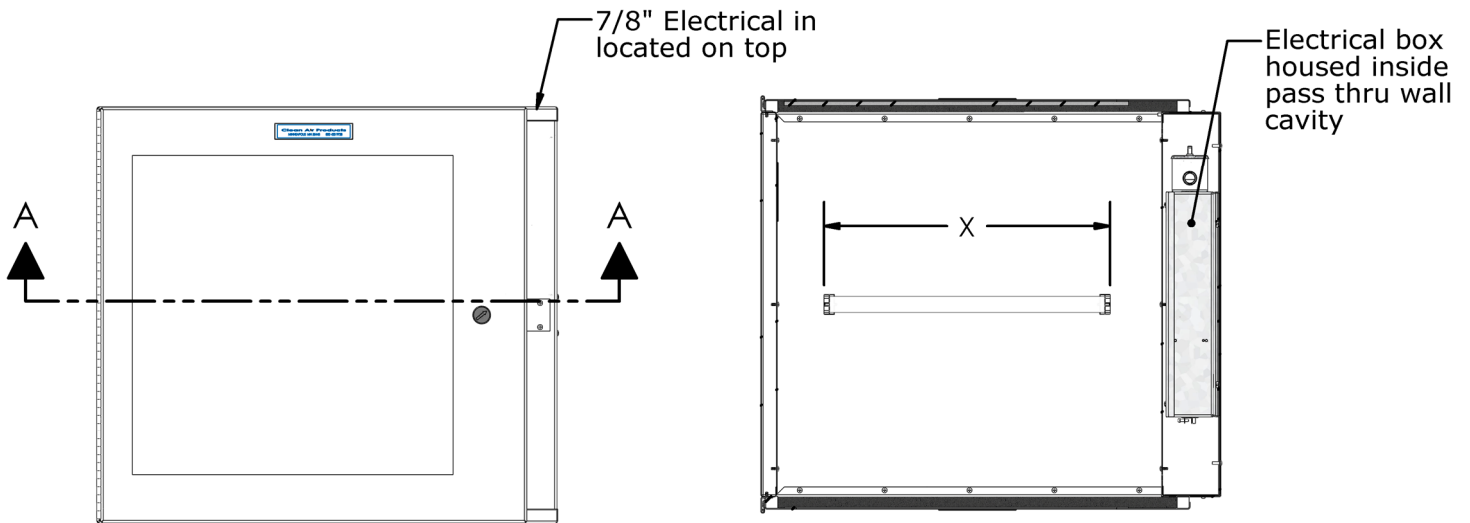


Pass Thru - Wall Mount CAP18W - Options Spec Sheet Option: UV Light

Note:

Light may be orientated horizontal, vertical, or diagonal depending on pass thru size

X = Light Length
18" and 36" are standard lengths



(CAP18W-SST-24Wx24Hx24D Shown Above)

SECTION A-A
SCALE 1 : 12

UV Light:

The UV light option is built into the ceiling of the pass thru. This top mounted location reduces interference and provides excellent UV light source to all products. The UV light is a high efficiency T8 fixture.

The UV light is activated when both doors are shut. A programmable timed shut off is available. UV light reduces inside height clearance by 1 1/2" [38].

Other light mounting locations available upon request

Power requirements: 120 Volts, 60 Hz, 0.2 Amps