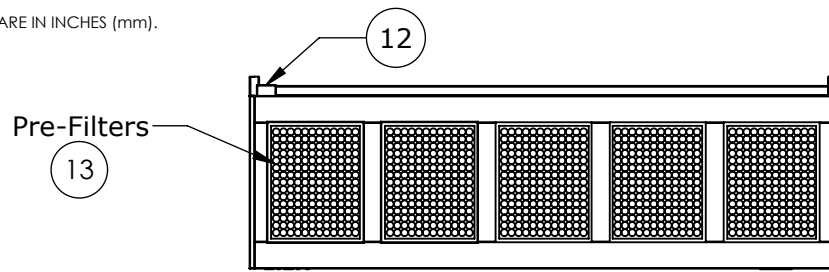


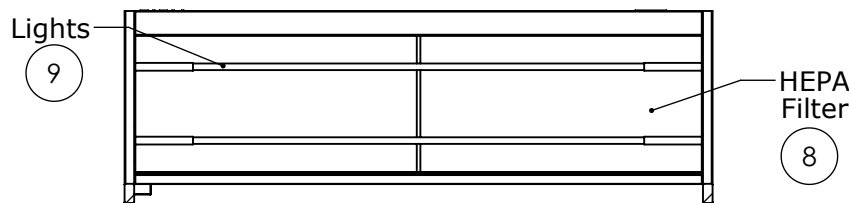
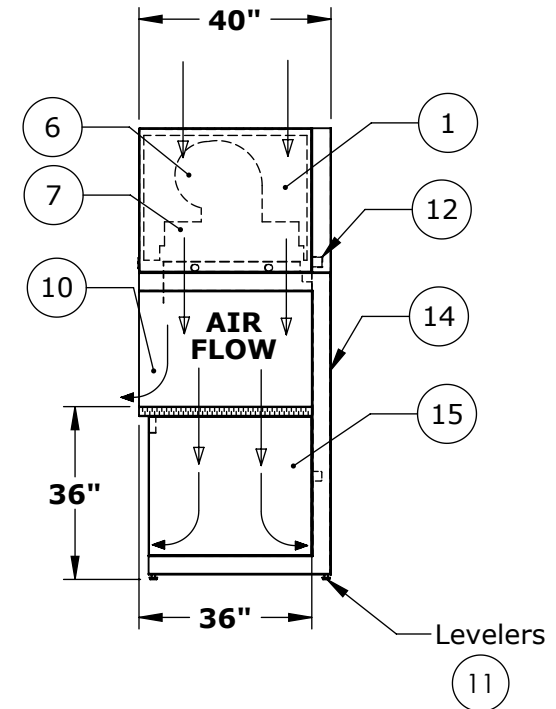
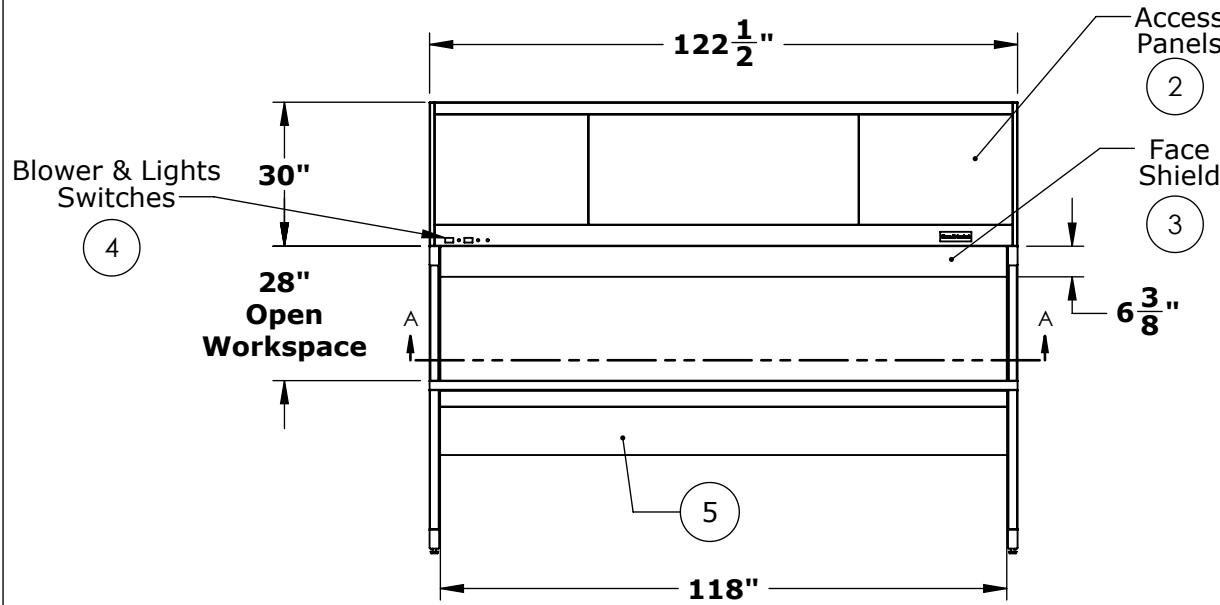
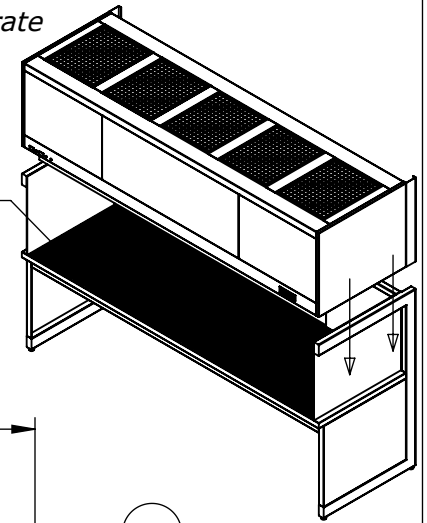
NOTES: UNLESS OTHERWISE SPECIFIED

1. DIMENSIONS ARE IN INCHES (mm).

Top Cabinet ships separate from the lower cabinet



Prefilters can be relocated to the front or back of unit. Leave minimum of 4 inches of clearance from filter face



SECTION A-A



© COPYRIGHT 2010 CLEAN AIR PRODUCTS	Clean Air PRODUCTS		8605 WYOMING AVENUE NORTH • MINNEAPOLIS, MN 55445 800-423-9728 • ph: 763-425-9122 • fax: 763-425-2004 www.cleanairproducts.com		
	DESCRIPTION.		Vertical Flow Clean Bench CAP412-10T36-36H-WT		
	QUOTE NO.		DO NOT SCALE		
	DATE DRAWN 08/31/2012	QUOTE FORM 035364	REV 1	SHEET 1 of 2	

NOTES: UNLESS OTHERWISE SPECIFIED

1. DIMENSIONS ARE IN INCHES (mm).

Notes:

1. **Top Cabinet, 16ga CRS with White Powder Coat Finish**
2. **Blower and Filter Access Panels, Front and Rear
(Field Personnel Can Relocate These In Order To Mount Prefilters In The Front)**
3. **Front Face Shield, 80mil Clear Flexible Vinyl**
4. **Control Panel, Blower and Light Switch, Circuit Breakers**
5. **Back Panel, 18ga. Vinyl Coated Steel**
6. **Double Blowers, 1/2HP, 120V, 60Hz**
7. **Supply Plenum, metal over top of HEPA, Flex duct to blower**
8. **HEPA, 99.99% on 0.3 micron particles, Aluminum anodized frame**
9. **Lights, Fluorescent Lamps, F96T12 (2x)**
10. **End Shields, Clear Polycarbonate**
11. **Leg Leveling Glides, Adjustable +/- 1/2"**
12. **Electrical Junction Box, (120V, 60Hz, 13.75 FLA)**
13. **Prefilters, 20x25x1 Glass Fiber (5x) Note: Can Be Field Relocated in the Field**
14. **Lower Support Frame, "C" Style, HRS with White Powder Coat**
15. **Side Work Surface Supports, Vinyl Coated Steel**
16. **Perforated 16ga Stainless Steel Work Surface, 1/4" dia staggered holes, 22.7% open area**

Optional:

17. **Power Cord - 14 ft Long**
18. **304 #4 Finish Stainless Steel Back Panel**
19. **304 #4 Finish Stainless Steel Side Panel**
20. **304 #4 Finish Stainless Steel "C"-Frame**
21. **304 #4 Finish Stainless Steel Top Cabinet**
22. **Low Profile - 20" Tall Top Cabinet (Normally 30" Tall)**
23. **ULPA Filters - ISO Class 4, Fed Std 209E 10**
24. **Upgrade work surface to 0.34" dia inline holes, 36.3% open area**
25. **Upgrade work surface to 3/4" dia inline holes, 44.2% open area**

Shipping Note:

1. **Top Cabinet Shipped
Separate from "C"-Frame**

© COPYRIGHT 2010 CLEAN AIR PRODUCTS	Clean Air PRODUCTS 8605 WYOMING AVENUE NORTH • MINNEAPOLIS, MN 55445 800-423-9728 • ph: 763-425-9122 • fax:763-425-2004 www.cleanairproducts.com		
	DESCRIPTION. Vertical Flow Clean Bench CAP412-10T36-36H-WT		
	QUOTE NO.		
	DO NOT SCALE		
DATE DRAWN 08/31/2012	QUOTE FORM 035364	REV 1	SHEET 2 of 2