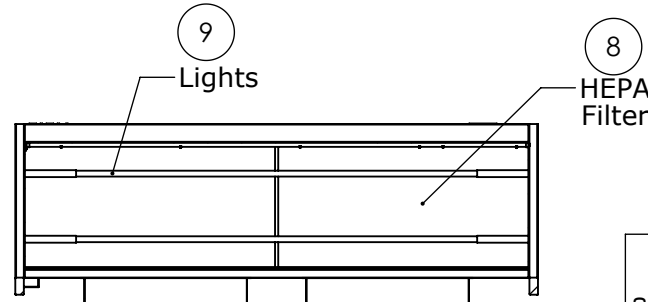
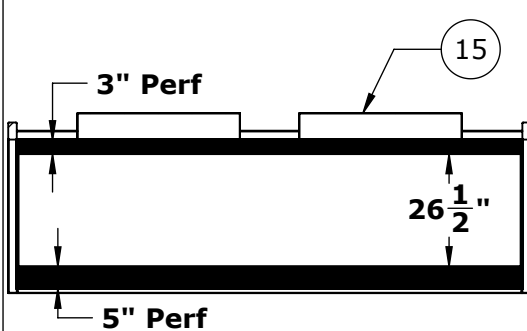
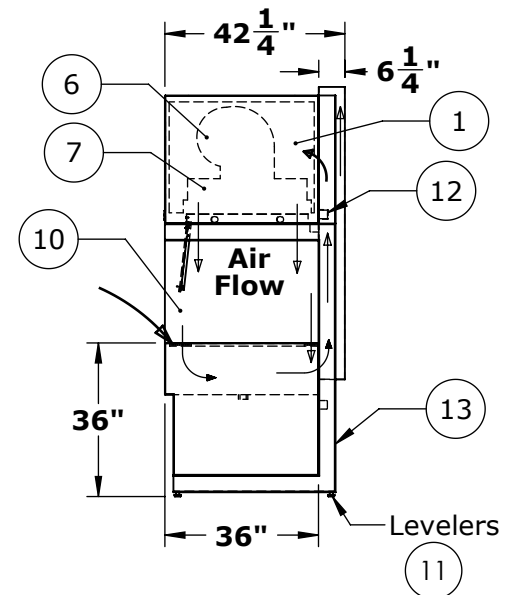
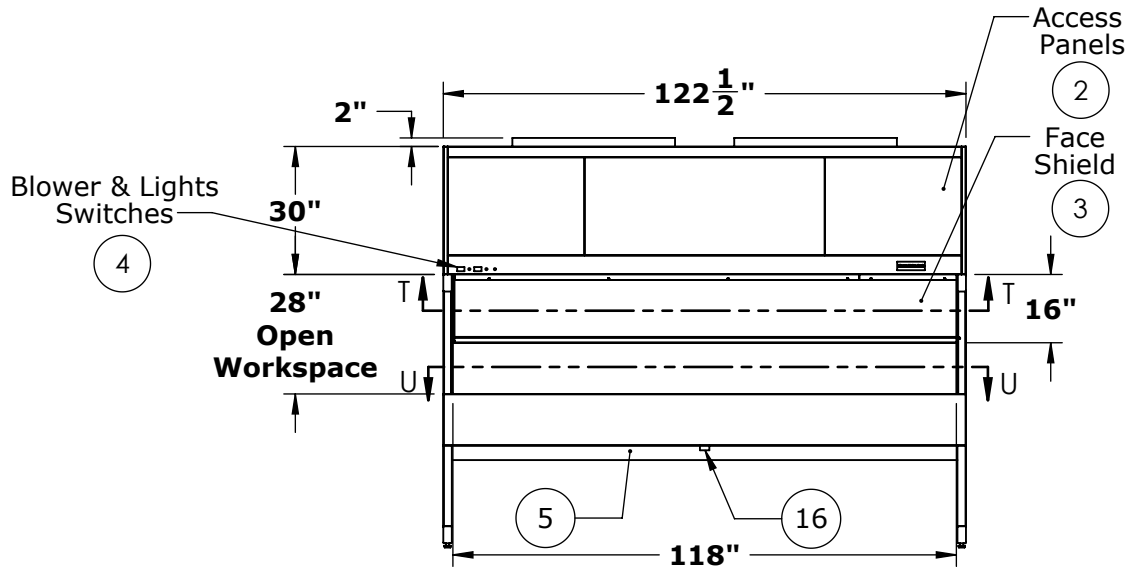
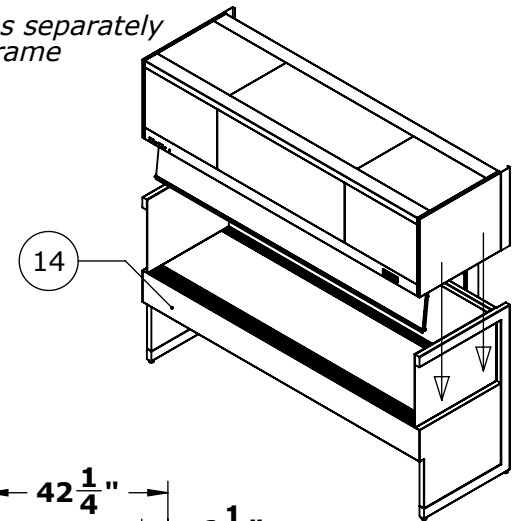
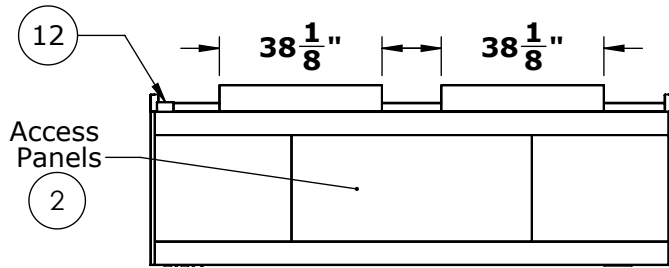


NOTES: UNLESS OTHERWISE SPECIFIED

1. DIMENSIONS ARE IN INCHES (mm).

Top Cabinet ships separately  
from the lower frame



Work Surface  
SECTION U-U

SECTION T-T

© COPYRIGHT 2010 CLEAN AIR PRODUCTS	<b>Clean Air PRODUCTS</b>	8605 WYOMING AVENUE NORTH • MINNEAPOLIS, MN 55445 800-423-9728 • ph: 763-425-9122 • fax: 763-425-2004 www.cleanairproducts.com		
	DESCRIPTION.	<b>Vertical Flow Clean Bench</b> <b>CAP412-10T36-36H-ER-SST</b>		
	QUOTE NO.			
	<b>DO NOT SCALE</b>	DATE DRAWN 09/07/2012	QUOTE FORM 035512	REV 1

NOTES: UNLESS OTHERWISE SPECIFIED

1. DIMENSIONS ARE IN INCHES (mm).

**Notes:**

1. **Top Cabinet, 16ga CRS with White Powder Coat Finish**
2. **Blower and Filter Access Panels, Front and Rear  
(Field Personnel Can Relocate These In Order To Mount Prefilters In The Front)**
3. **Front Face Shield, Hinged 1/4" Polycarbonate, 12" Opening**
4. **Control Panel, Blower and Light Switch, Circuit Breakers**
5. **Back Panel, 18ga Stainless Steel**
6. **Double Blowers, 1/2HP, 120V, 60Hz**
7. **Supply Plenum, metal over top of HEPA, Flex duct to blower**
8. **HEPA, 99.99% on 0.3 micron particles, Aluminum anodized frame**
9. **Lights, Fluorescent Lamps, F96T12 (2x)**
10. **End Shields, Clear Polycarbonate**
11. **Leg Leveling Glides, Adjustable +/- 1/2"**
12. **Electrical Junction Box, (120V, 60Hz, 13.75 FLA)**
13. **Lower Support Frame, "C" Style, HRS with White Powder Coat**
14. **Stainless Steel Exhaust Plenum with 16ga Stainless Steel Work Surface**
15. **Exhaust Duct, Stainless Steel - Customer Supplied Exhaust must Provide a Minimum of 1500 CFM Total**
16. **Plenum Drain, 1-1/2" NPT Stainless Steel - Customer to Provide Plug if Needed**

**Optional:**

17. **Power Cord - 14 ft Long**
18. **304 #4 Finish Stainless Steel Back Panel**
19. **304 #4 Finish Stainless Steel Side Panel**
20. **304 #4 Finish Stainless Steel "C"-Frame**
21. **304 #4 Finish Stainless Steel Top Cabinet**
22. **Low Profile - 20" Tall Top Cabinet (Normally 30" Tall)**
23. **ULPA Filters - ISO Class 4, Fed Std 209E 10**

**Shipping Note:**

1. **Top Cabinet Shipped  
Separate from "C"-Frame**

© COPYRIGHT 2010 CLEAN AIR PRODUCTS	<b>Clean Air PRODUCTS</b> 8605 WYOMING AVENUE NORTH • MINNEAPOLIS, MN 55445 800-423-9728 • ph: 763-425-9122 • fax:763-425-2004 www.cleanairproducts.com		
	DESCRIPTION. <b>Vertical Flow Clean Bench CAP412-10T36-36H-ER-SST</b>		
	QUOTE NO.		
	<b>DO NOT SCALE</b>		
DATE DRAWN 09/07/2012	QUOTE FORM 035512	REV 1	SHEET 2 of 2