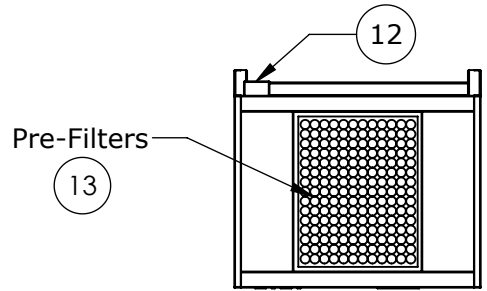


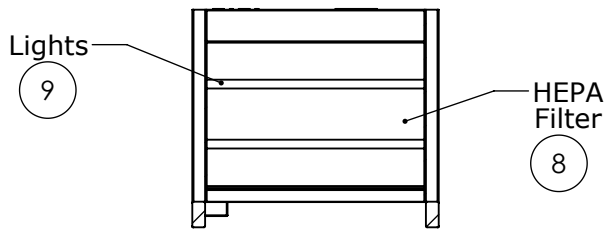
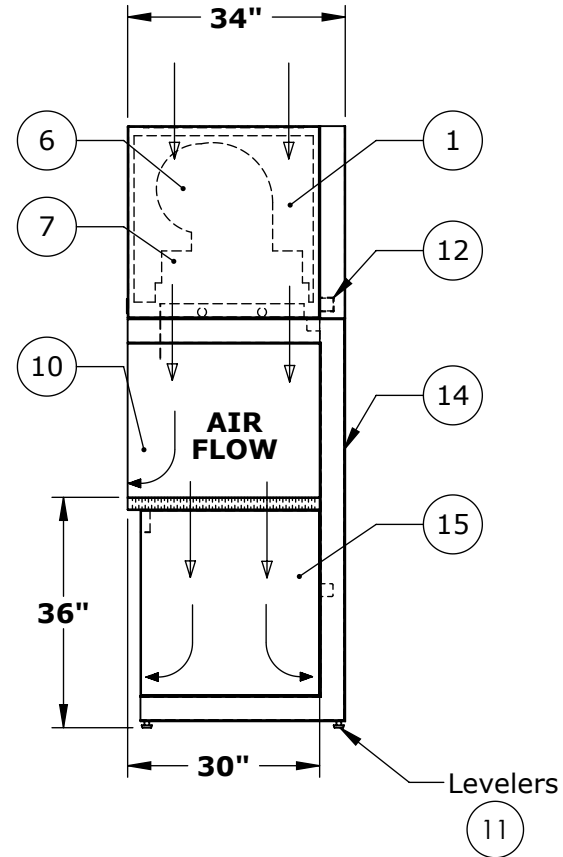
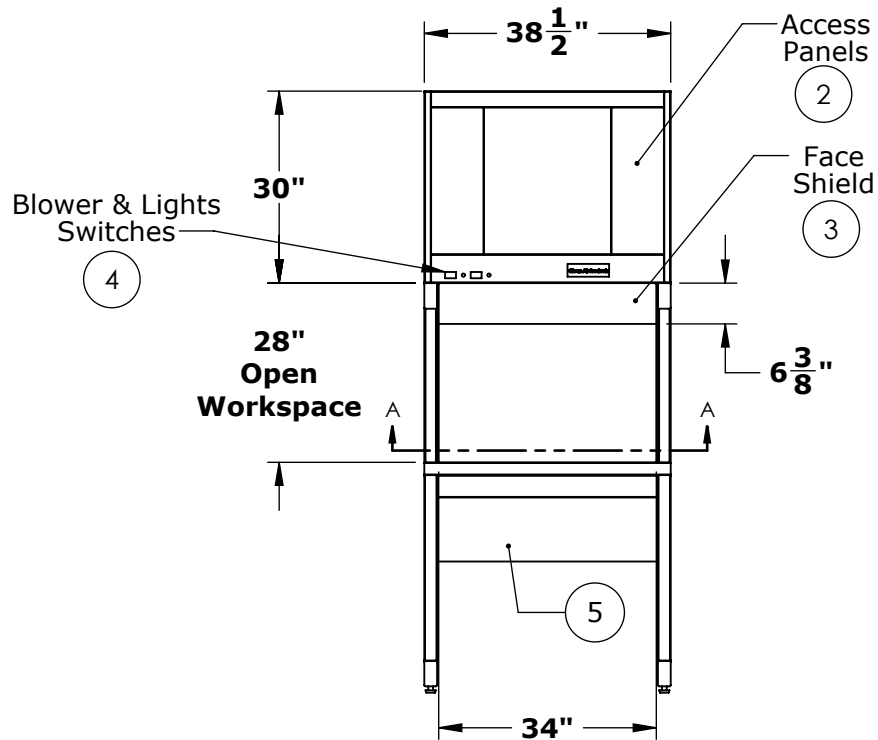
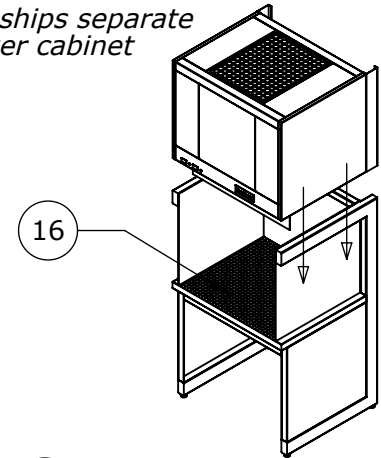
NOTES: UNLESS OTHERWISE SPECIFIED

1. DIMENSIONS ARE IN INCHES (mm).

*Top Cabinet ships separate from the lower cabinet*



*Prefilters can be relocated to the front or back of unit. Leave minimum of 4 inches of clearance from filter face*



SECTION A-A

© COPYRIGHT 2010 CLEAN AIR PRODUCTS	<b>Clean Air PRODUCTS</b>	8605 WYOMING AVENUE NORTH • MINNEAPOLIS, MN 55445 800-423-9728 • ph: 763-425-9122 • fax: 763-425-2004 www.cleanairproducts.com	
	DESCRIPTION.	<b>Vertical Flow Clean Bench          CAP412-3T30-36H-WT</b>	
	QUOTE NO.		
	<b>DO NOT SCALE</b>	DATE DRAWN 08/31/2012	QUOTE FORM 035326
		REV 1	SHEET 1 of 2

NOTES: UNLESS OTHERWISE SPECIFIED

1. DIMENSIONS ARE IN INCHES (mm).

**Notes:**

1. **Top Cabinet, 16ga CRS with White Powder Coat Finish**
2. **Blower and Filter Access Panels, Front and Rear  
(Field Personnel Can Relocate These In Order To Mount Prefilters In The Front)**
3. **Front Face Shield, 80mil Clear Fexible Vinyl**
4. **Control Panel, Blower and Light Switch, Circuit Breakers**
5. **Back Panel, 18ga. Vinyl Coated Steel**
6. **Single Blower, 1/3HP, 120V, 60Hz**
7. **Supply Plenum, metal over top of HEPA, Flex duct to blower**
8. **HEPA, 99.99% on 0.3 micron particles, Aluminum anodized frame**
9. **Lights, Fluorescent Lamps, F36T12 (2x)**
10. **End Shields, Clear Polycarbonate**
11. **Leg Leveling Glides, Adjustable +/- 1/2"**
12. **Electrical Junction Box, (120V, 60Hz, 5.33 FLA)**
13. **Prefilters, 20x25x1 Glass Fiber (1x) Note: Can Be Field Relocated in the Field**
14. **Lower Support Frame, "C" Style, HRS with White Powder Coat**
15. **Side Work Surface Supports, Vinyl Coated Steel**
16. **Perforated 16ga Stainless Steel Work Surface, 1/4" dia staggered holes, 22.7% open area**

Optional:

17. **Power Cord - 14 ft Long**
18. **304 #4 Finish Stainless Steel Back Panel**
19. **304 #4 Finish Stainless Steel Side Panel**
20. **304 #4 Finish Stainless Steel "C"-Frame**
21. **304 #4 Finish Stainless Steel Top Cabinet**
22. **Low Profile - 20" Tall Top Cabinet (Normally 30" Tall)**
23. **ULPA Filters - ISO Class 4, Fed Std 209E 10**
24. **Upgrade work surface to 0.34" dia inline holes, 36.3% open area**
25. **Upgrade work surface to 3/4" dia inline holes, 44.2% open area**

**Shipping Note:**

1. **Top Cabinet Shipped  
Separate from "C"-Frame**

© COPYRIGHT 2010 CLEAN AIR PRODUCTS	<b>Clean Air PRODUCTS</b> 8605 WYOMING AVENUE NORTH • MINNEAPOLIS, MN 55445 800-423-9728 • ph: 763-425-9122 • fax:763-425-2004 www.cleanairproducts.com		
	DESCRIPTION. <b>Vertical Flow Clean Bench CAP412-3T30-36H-WT</b>		
	QUOTE NO.		
	<b>DO NOT SCALE</b>		
DATE DRAWN 08/31/2012	QUOTE FORM 035326	REV 1	SHEET 2 of 2