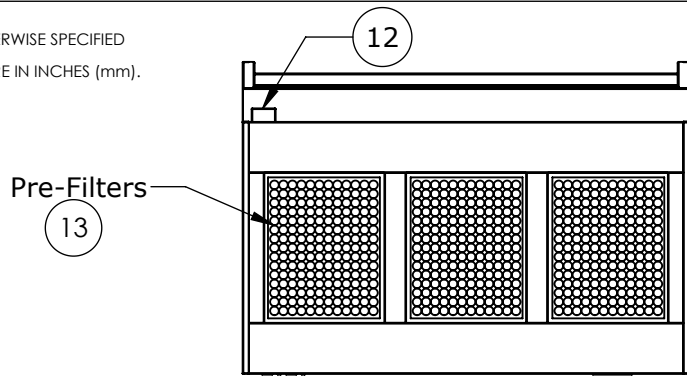
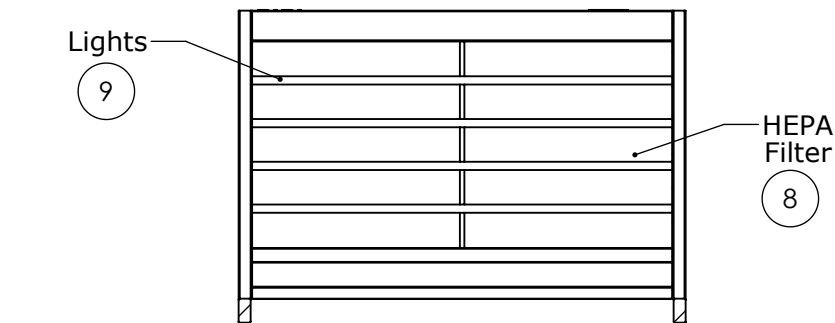
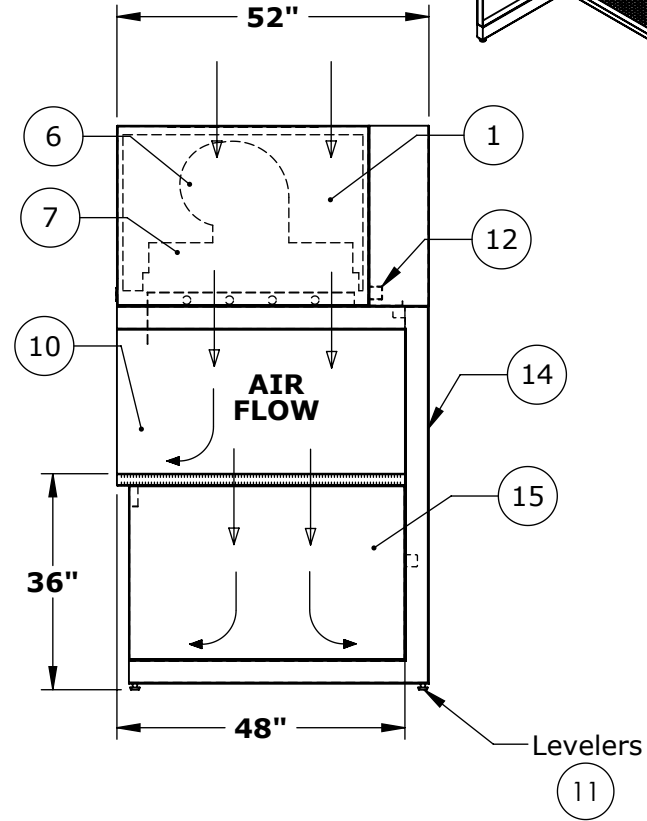
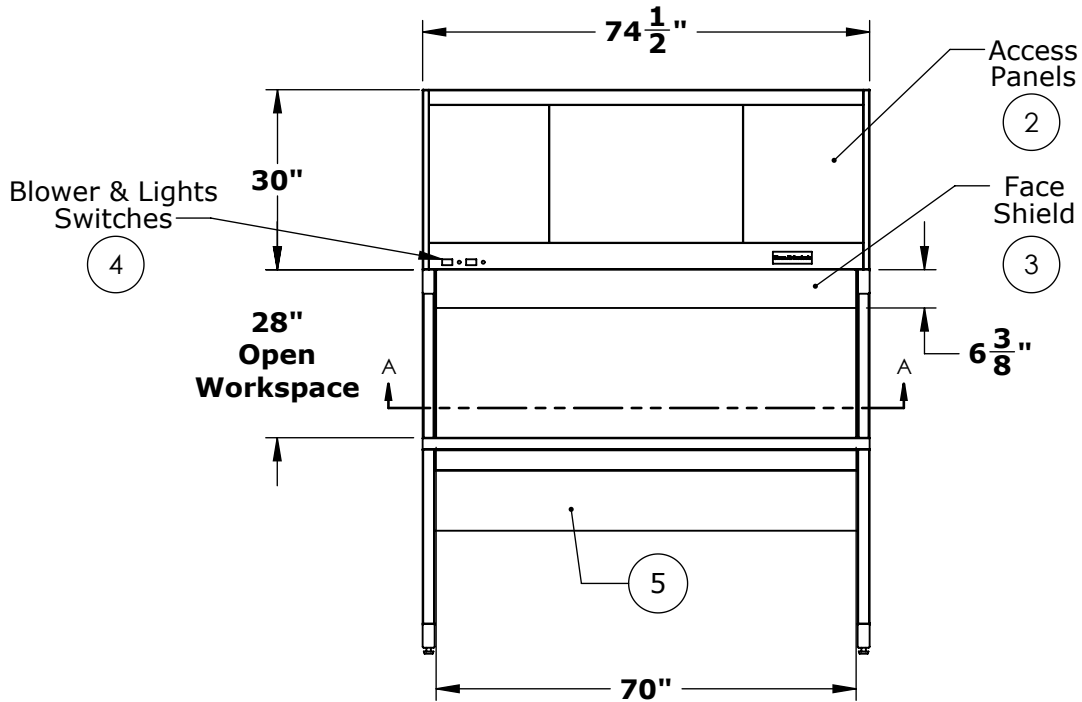
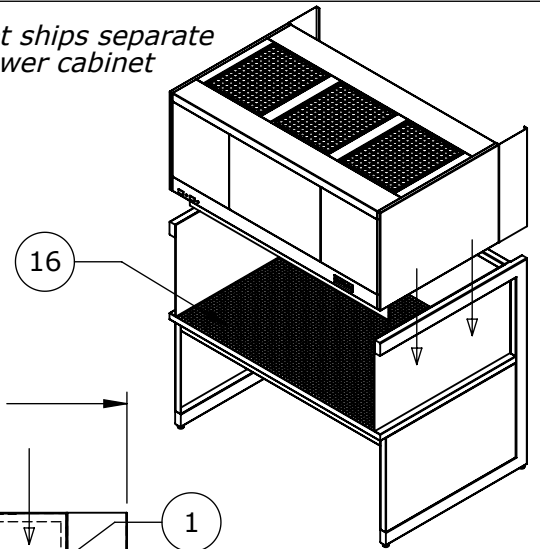


NOTES: UNLESS OTHERWISE SPECIFIED
 1. DIMENSIONS ARE IN INCHES (mm).



Prefilters can be relocated to the front or back of unit. Leave minimum of 4 inches of clearance from filter face

Top Cabinet ships separate from the lower cabinet



SECTION A-A



| | | |
|--|---------------------------|--|
| © COPYRIGHT 2010 CLEAN AIR PRODUCTS | Clean Air PRODUCTS | 8605 WYOMING AVENUE NORTH • MINNEAPOLIS, MN 55445 800-423-9728 • ph: 763-425-9122 • fax: 763-425-2004 www.cleanairproducts.com |
| | DESCRIPTION. | Vertical Flow Clean Bench CAP412-6T48-36H-WT |
| | QUOTE NO. | |
| | DO NOT SCALE | DATE DRAWN 08/31/2012 |
| | REV 1 | SHEET 1 of 2 |

NOTES: UNLESS OTHERWISE SPECIFIED

1. DIMENSIONS ARE IN INCHES (mm).

Notes:

1. **Top Cabinet, 16ga CRS with White Powder Coat Finish**
2. **Blower and Filter Access Panels, Front and Rear
(Field Personnel Can Relocate These In Order To Mount Prefilters In The Front)**
3. **Front Face Shield, 80mil Clear Fexible Vinyl**
4. **Control Panel, Blower and Light Switch, Circuit Breakers**
5. **Back Panel, 18ga. Vinyl Coated Steel**
6. **Double Blowers, 1/2HP, 120V, 60Hz**
7. **Supply Plenum, metal over top of HEPA, Flex duct to blower**
8. **HEPA, 99.99% on 0.3 micron particles, Aluminum anodized frame**
9. **Lights, Fluorescent Lamps, F72T12 (4x)**
10. **End Shields, Clear Polycarbonate**
11. **Leg Leveling Glides, Adjustable +/- 1/2"**
12. **Electrical Junction Box, (120V, 60Hz, 14.76 FLA)**
13. **Prefilters, 20x25x1 Glass Fiber (3x) Note: Can Be Field Relocated in the Field**
14. **Lower Support Frame, "C" Style, HRS with White Powder Coat**
15. **Side Work Surface Supports, Vinyl Coated Steel**
16. **Perforated 16ga Stainless Steel Work Surface, 1/4" dia staggered holes, 22.7% open area**

Optional:

17. **Power Cord - 14 ft Long**
18. **304 #4 Finish Stainless Steel Back Panel**
19. **304 #4 Finish Stainless Steel Side Panel**
20. **304 #4 Finish Stainless Steel "C"-Frame**
21. **304 #4 Finish Stainless Steel Top Cabinet**
22. **Low Profile - 20" Tall Top Cabinet (Normally 30" Tall)**
23. **ULPA Filters - ISO Class 4, Fed Std 209E 10**
24. **Upgrade work surface to 0.34" dia inline holes, 36.3% open area**
25. **Upgrade work surface to 3/4" dia inline holes, 44.2% open area**

Shipping Note:

1. **Top Cabinet Shipped
Separate from "C"-Frame**

| | | | |
|--|---|----------|-----------------|
| © COPYRIGHT 2010 CLEAN AIR PRODUCTS | Clean Air PRODUCTS 8605 WYOMING AVENUE NORTH • MINNEAPOLIS, MN 55445 800-423-9728 • ph: 763-425-9122 • fax:763-425-2004 www.cleanairproducts.com | | |
| | DESCRIPTION. Vertical Flow Clean Bench CAP412-6T48-36H-WT | | |
| | QUOTE NO. | | |
| | DO NOT SCALE | | |
| DATE DRAWN 08/31/2012 | QUOTE FORM 035275 | REV 1 | SHEET 2 of 2 |