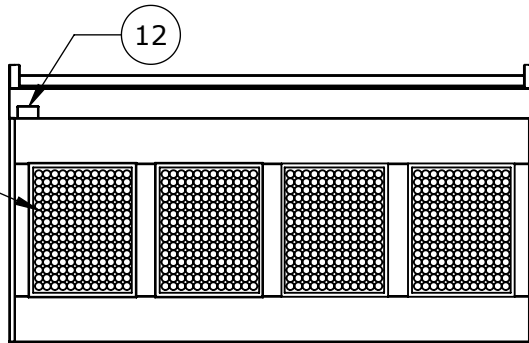


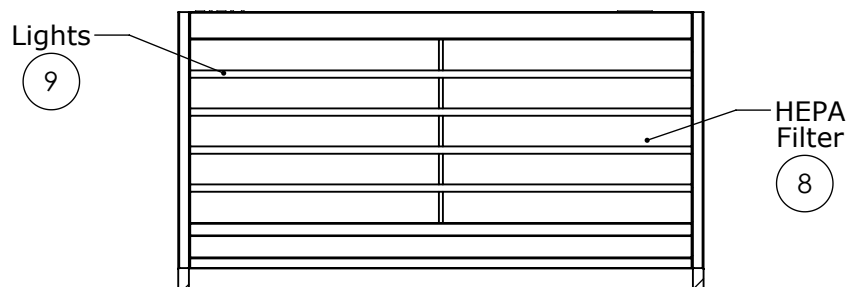
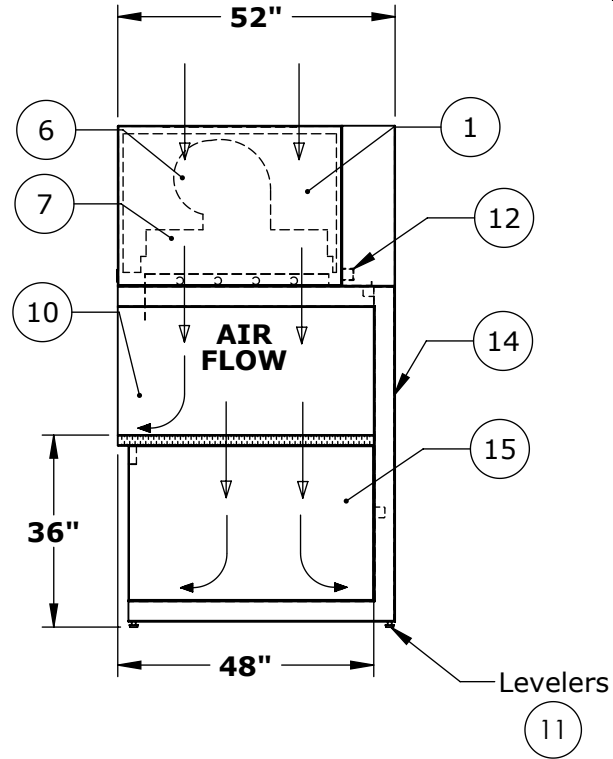
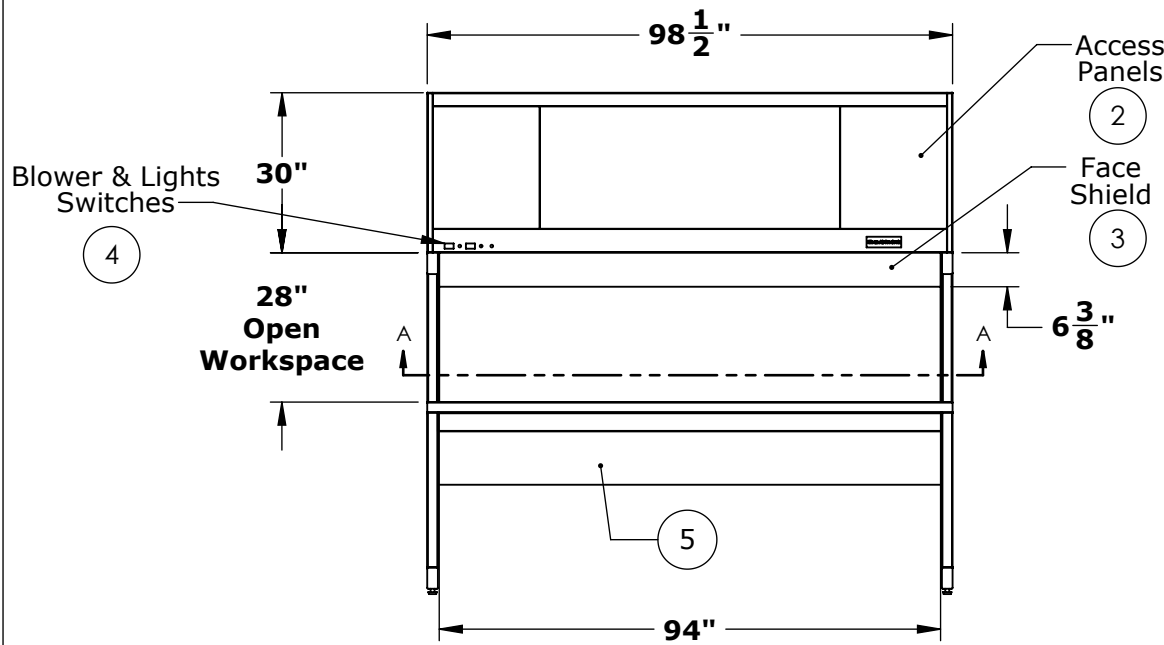
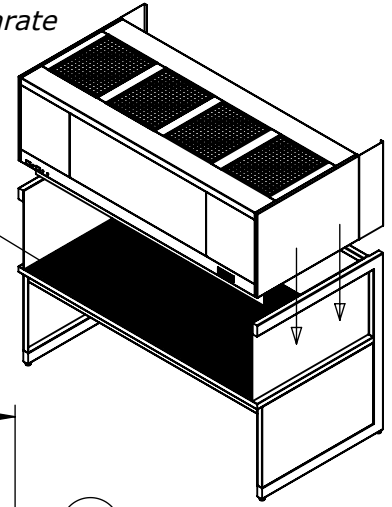
NOTES: UNLESS OTHERWISE SPECIFIED  
 1. DIMENSIONS ARE IN INCHES (mm).



Pre-Filters  
 13

Prefilters can be relocated to the front or back of unit. Leave minimum of 4 inches of clearance from filter face

Top Cabinet ships separate from the lower cabinet



SECTION A-A



|                                        |                           |                                                                                                                                      |
|----------------------------------------|---------------------------|--------------------------------------------------------------------------------------------------------------------------------------|
| © COPYRIGHT 2010<br>CLEAN AIR PRODUCTS | <b>Clean Air PRODUCTS</b> | 8605 WYOMING AVENUE NORTH • MINNEAPOLIS, MN 55445<br>800-423-9728 • ph: 763-425-9122 • fax: 763-425-2004<br>www.cleanairproducts.com |
|                                        | DESCRIPTION.              | <b>Vertical Flow Clean Bench<br/>         CAP412-8T48-36H-WT</b>                                                                     |
|                                        | QUOTE NO.                 |                                                                                                                                      |
|                                        | <b>DO NOT SCALE</b>       | DATE DRAWN<br>08/31/2012                                                                                                             |
|                                        | REV<br>1                  | SHEET<br>1 of 2                                                                                                                      |

NOTES: UNLESS OTHERWISE SPECIFIED

1. DIMENSIONS ARE IN INCHES (mm).

**Notes:**

1. **Top Cabinet, 16ga CRS with White Powder Coat Finish**
2. **Blower and Filter Access Panels, Front and Rear  
(Field Personnel Can Relocate These In Order To Mount Prefilters In The Front)**
3. **Front Face Shield, 80mil Clear Fexible Vinyl**
4. **Control Panel, Blower and Light Switch, Circuit Breakers**
5. **Back Panel, 18ga. Vinyl Coated Steel**
6. **Double Blowers, 1/2HP, 120V, 60Hz**
7. **Supply Plenum, metal over top of HEPA, Flex duct to blower**
8. **HEPA, 99.99% on 0.3 micron particles, Aluminum anodized frame**
9. **Lights, Fluorescent Lamps, F96T12 (4x)**
10. **End Shields, Clear Polycarbonate**
11. **Leg Leveling Glides, Adjustable +/- 1/2"**
12. **Electrical Junction Box, (120V, 60Hz, 15.1 FLA)**
13. **Prefilters, 20x25x1 Glass Fiber (4x) Note: Can Be Field Relocated in the Field**
14. **Lower Support Frame, "C" Style, HRS with White Powder Coat**
15. **Side Work Surface Supports, Vinyl Coated Steel**
16. **Perforated 16ga Stainless Steel Work Surface, 1/4" dia staggered holes, 22.7% open area**

Optional:

17. **Power Cord - 14 ft Long**
18. **304 #4 Finish Stainless Steel Back Panel**
19. **304 #4 Finish Stainless Steel Side Panel**
20. **304 #4 Finish Stainless Steel "C"-Frame**
21. **304 #4 Finish Stainless Steel Top Cabinet**
22. **Low Profile - 20" Tall Top Cabinet (Normally 30" Tall)**
23. **ULPA Filters - ISO Class 4, Fed Std 209E 10**
24. **Upgrade work surface to 0.34" dia inline holes, 36.3% open area**
25. **Upgrade work surface to 3/4" dia inline holes, 44.2% open area**

**Shipping Note:**

1. **Top Cabinet Shipped  
Separate from "C"-Frame**

|                                        |                                                                                                                                                               |          |                 |
|----------------------------------------|---------------------------------------------------------------------------------------------------------------------------------------------------------------|----------|-----------------|
| © COPYRIGHT 2010<br>CLEAN AIR PRODUCTS | <b>Clean Air PRODUCTS</b> 8605 WYOMING AVENUE NORTH • MINNEAPOLIS, MN 55445<br>800-423-9728 • ph: 763-425-9122 • fax:763-425-2004<br>www.cleanairproducts.com |          |                 |
|                                        | DESCRIPTION. <b>Vertical Flow Clean Bench<br/>CAP412-8T48-36H-WT</b>                                                                                          |          |                 |
|                                        | QUOTE NO.                                                                                                                                                     |          |                 |
|                                        | <b>DO NOT SCALE</b>                                                                                                                                           |          |                 |
| DATE DRAWN<br>08/31/2012               | QUOTE FORM<br>035357                                                                                                                                          | REV<br>1 | SHEET<br>2 of 2 |