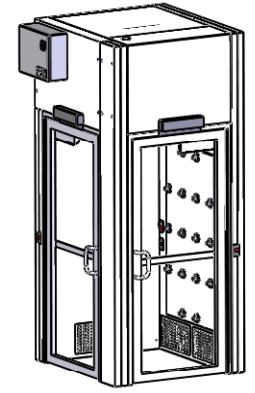
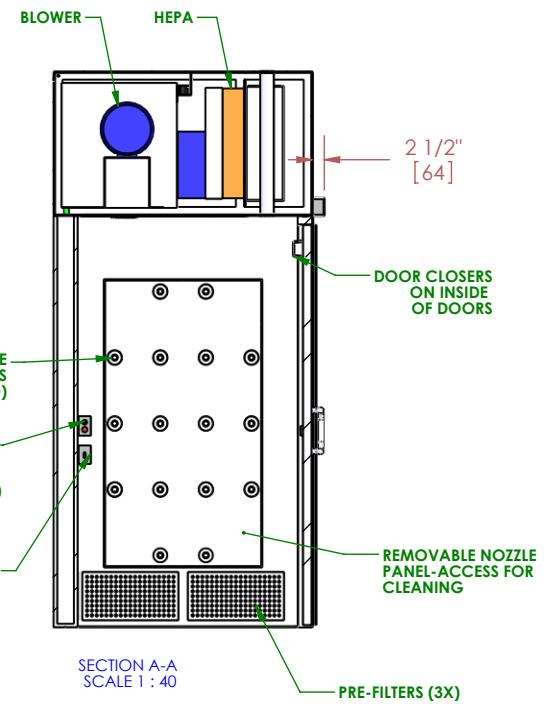
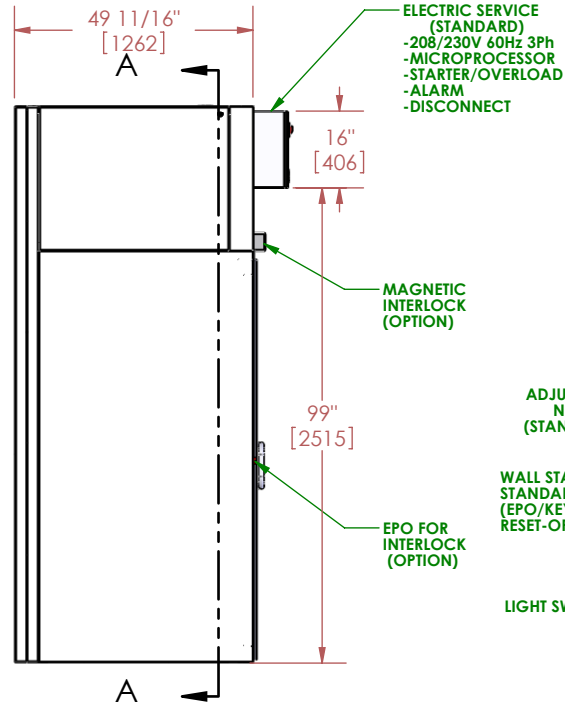
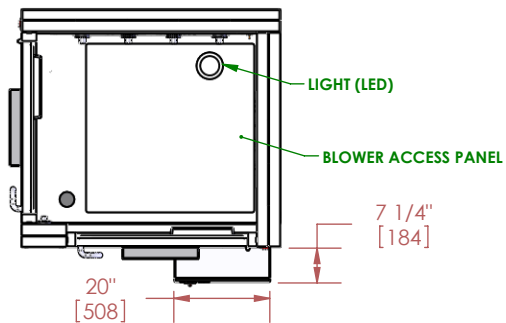
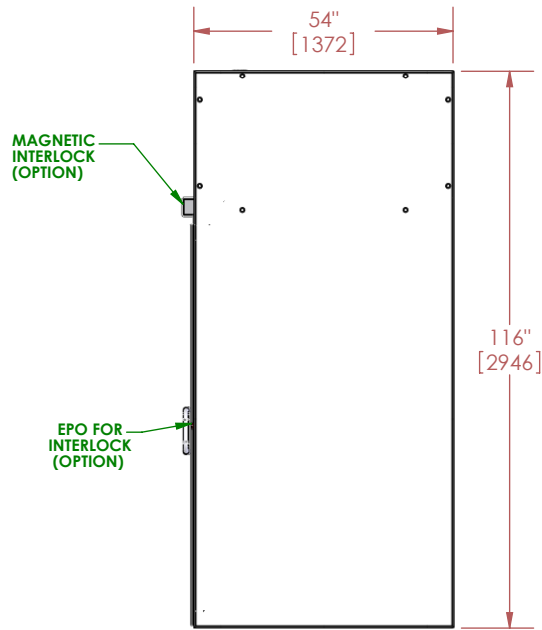
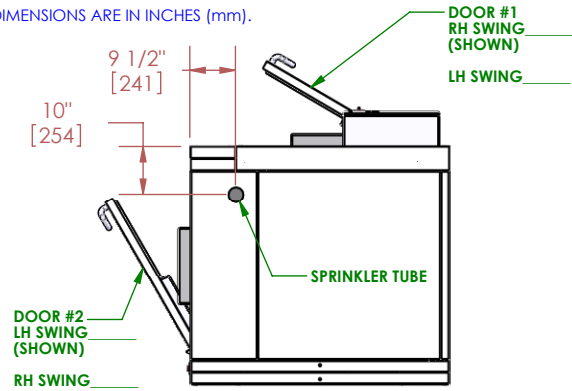


NOTES: UNLESS OTHERWISE SPECIFIED

1. DIMENSIONS ARE IN INCHES (mm).



© COPYRIGHT 2010 CLEAN AIR PRODUCTS	<b>Clean Air PRODUCTS</b>	8605 WYOMING AVENUE NORTH • MINNEAPOLIS, MN 55445 800-423-9728 • ph: 763-425-9122 • fax: 763-425-2004 www.cleanairproducts.com		
	DESCRIPTION.	<b>Air Shower - 90 Degree          CAP701KD-LH-4954</b>		
	QUOTE NO.			
	<b>DO NOT SCALE</b>	DATE DRAWN 11/13/2009	QUOTE FORM 004149	REV 2

## Series CAP701 Air Shower Specification Sheet

### Air Shower- CAP701KD-LH-4954, Quote

#### Standard Electrical:

- Motor:**..... 5HP, 3600RPM, 182T frame, open drip, sealed ball bearing, Qty. 1
- Blower:**..... High efficiency, Non-overloading aluminum airfoil, direct drive, overhead mounted
- Power Supply:**..... 208/230Volt, 60Hz, 3 Phase, 4 Wire, 14.5FLA, Gray painted steel electrical control panel, mounted above one door. Motor starter with electronic overloads inside control panel. Disconnect switch mounted on face of electrical control panel. UL Listed Panel.

#### Standard Construction:

- Shell:**..... Cold-rolled steel with white powder coat finish, interior and exterior.
- Doors:**..... Aluminum frame and Jamb, Clear safety glass (full), Closer on each door.
- Door Swing:**..... One Right Hand and One Left Hand. No charge for door swing change.
- Nozzles:**..... Anodized aluminum, adjustable, 27 Nozzles Total. 1900 CFM  
Nozzle Velocity: 7800 LFPM average.
- Filters:**..... HEPA: 24"x24"x11-1/2", 99.99% filtration of 0.3 micron particles.  
Prefilters: 10"x20"x1" Pleated Merv 8, 3 Total.
- Cleaning Cycle:**..... 0 to 30 sec. Microprocessor controller. ***Optional Interlocks Recommended***
- Service Access:**..... Filter, blower, motor, and light accessed from inside Air Shower.
- Shipping Method:**.. Shipped partially disassembled. When uncrated, components will fit through a standard 3'0"x7'0" door.
- Lighting:**..... LED Bulb with switch on inside wall.
- Sprinkler Sleeve:**.. One sleeve per section. Qty. 1

#### ***Notes:***

## Series CAP701 Air Shower Options List

### CAP701KD-LH-4954

**Air Shower General Options:...** Raised Floor Return (*Option Code 44*).....  
 Ship Fully Assembled(*46*).....

**Air Shower Power Option:.....** 380Volt, 60Hz, 8.0 Amps per Section (*14*).....  
 480Volt, 60Hz, 6.5 Amps per Section (*11*).....  
 575Volt, 60Hz, 5.3 Amps per Section (*12*).....

**Air Shower Shell Options:.....** Stainless Steel Walls and Cabinet-Type 304#4 Finish (*40*)...  
 Stainless Steel Walls and Cabinet-Type 316-2b Finish (*41*)..  
 Stainless Steel Pharmaceutical Applications (*42*).....  
 Non-Standard Paint - Customer Specified (*43*).....

**Air Shower Nozzle Options:....** Fixed Nozzles (*47*).....  
 Ceiling Nozzles (*48*).....  
 Concentrated Wall Nozzle Pattern (*49*).....  
 Air Knife Nozzle (*50*).....  
 Rub Rail Nozzle Protection (*45*).....  
 Wall Point Ionization System (*51*).....

**Air Shower Control Options:...** NEMA12 Upgraded Control Box (*19*).....  
 Stainless Steel Upgrade Control Box (*20*).....  
 Top Mounted Control Box (*15*).....  
 Optional Control Box Position (*16*).....  
 Remote Mounted Control Box (*17*).....  
 Whip - Prewired Flex Conduit (*24*).....  
 Variable Frequency Drive (*21*).....  
 Interior Presence Sensor (*75*).....  
 Motion Sensor Start (*86*).....  
 Fused Disconnect (*22*).....  
 LCD Display Panel 5.7" Color Display (*26*).....

**Air Shower Door Options:.....** Steel Construction-Painted (*77*).....  
 Stainless Steel Construction (*76*).....  
 Acrylic Panel-Full (*82*).....  
 Split Panel Design-Safety Glass/Stainless Steel (*83*).....  
 Split Panel Design- Acrylic/Stainless Steel (*84*).....  
 Door Rub Rails (*81*).....  
 Magnetic Interlocks-External Mount (*72*).....  
 Magnetic Interlocks-Internal Mount (*73*).....  
 Power Door Openers (*74*).....  
 Stainless Steel Threshold (*80*).....  
 Door Sweeps-Fixed (*78*).....  
 Automatic Door Sweeps (*79*).....

**Air Shower Filter Options:.....** ULPA Upgrade to 99.999% on 0.12 Micron Particles (*3*).....  
 Additional Pre-Filter on Blower (*7*).....  
 Magnehelic Gage-Single (*4*).....  
 Magnehelic Gages-Dual (*5*).....  
 Minihelic Gage-Single (*6*).....