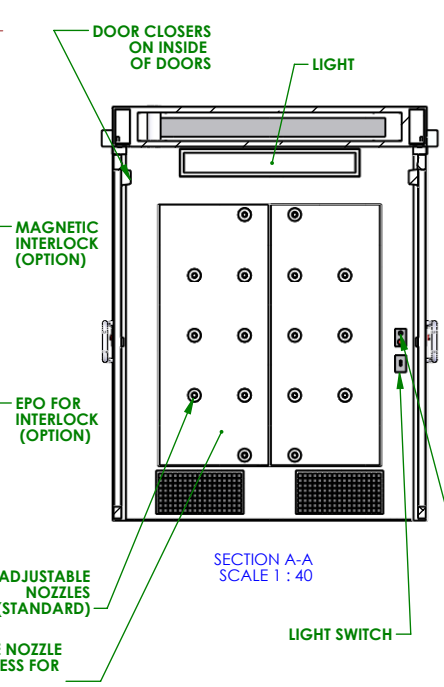
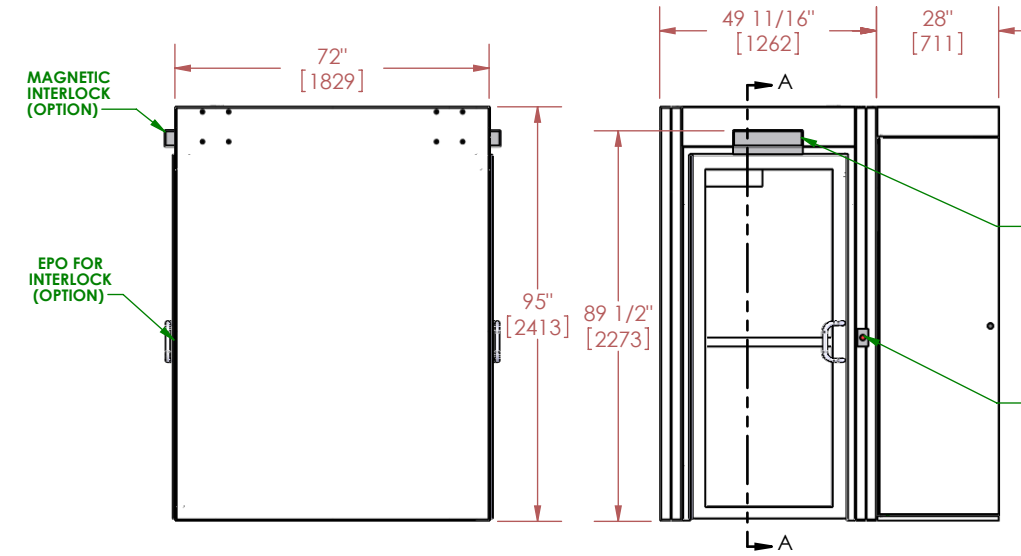
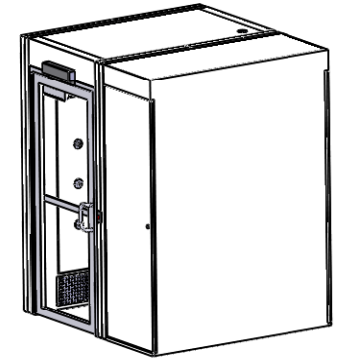
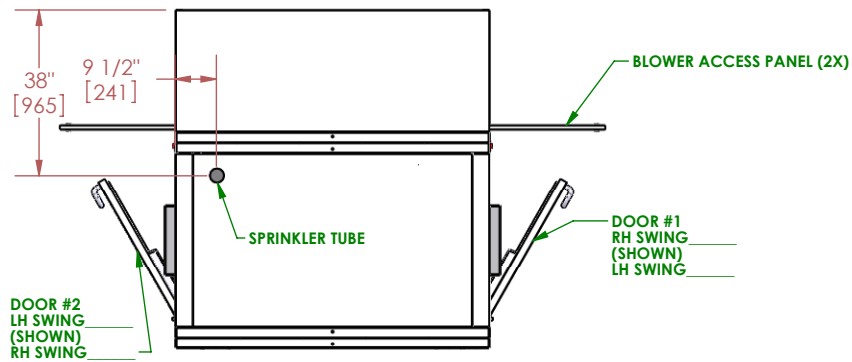
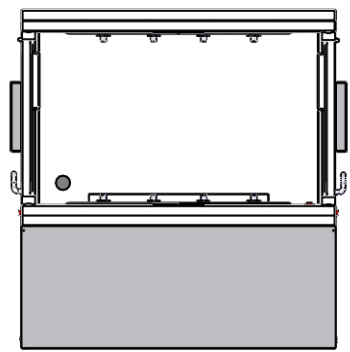
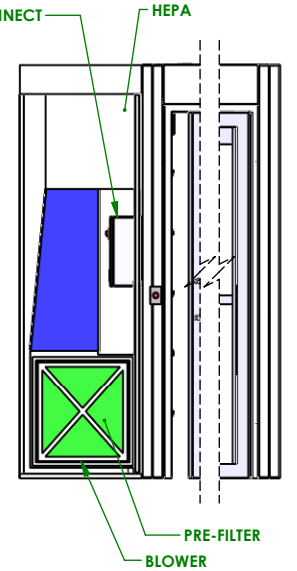


NOTES: UNLESS OTHERWISE SPECIFIED

1. DIMENSIONS ARE IN INCHES (mm).



ELECTRIC SERVICE (STANDARD)
-208/230V 60HZ 3PH
-MICROPROCESSOR
-STARTER/OVERLOAD
-ALARM
-DISCONNECT



© COPYRIGHT 2010 CLEAN AIR PRODUCTS	Clean Air PRODUCTS		8605 WYOMING AVENUE NORTH • MINNEAPOLIS, MN 55445 800-423-9728 • ph: 763-425-9122 • fax: 763-425-2004 www.cleanairproducts.com		
	DESCRIPTION.		Air Shower - Straight Through CAP701LP-ST-4972		
	QUOTE NO.				
	DO NOT SCALE	DATE DRAWN 05/12/2010	QUOTE FORM 007992	REV 1	SHEET 1 of 3

Series CAP701 Air Shower Specification Sheet

Air Shower- CAP701LP-ST-4972, Quote

Standard Electrical:

- Motor:**..... 5HP, 3600RPM, 182T frame, open drip, sealed ball bearing, Qty. 1
Meets or exceeded U.S. EPAct and NRCan Canadian efficiency standards
- Blower:**..... High efficiency, Non-overloading aluminum airfoil, direct drive, overhead mounted
- Power Supply:**..... 208/230Volt, 60Hz, 3 Phase, 4 Wire, 14.5FLA, Gray painted steel electrical control panel, mounted in blower cabinet. Motor starter with electronic overloads inside control panel. Disconnect switch mounted on face of electrical control panel. UL Listed Panel.

Standard Construction:

- Shell:**..... Cold-rolled steel with white powder coat finish, interior and exterior.
- Doors:**..... Aluminum frame and Jamb, Clear safety glass (full), Closer on each door.
- Door Swing:**..... One Right Hand and One Left Hand. No charge for door swing change.
- Nozzles:**..... Anodized aluminum, adjustable, 32 Nozzles Total. 1900 CFM
Nozzle Velocity: 7800 LFPM average.
- Filters:**..... HEPA: 24"x24"x11-1/2", 99.97% filtration of 0.3 micron particles.
Prefilter: 20"x20"x4" Pleated Merv 8.
- Cleaning Cycle:**..... 0 to 30 sec. Microprocessor controller. ***Optional Interlocks Recommended***
- Service Access:**..... Filter, blower, and motor, accessed from inside blower cabinet.
- Shipping Method:**.. Shipped partially disassembled. When uncrated, components will fit through a standard 3'0"x7'0" door.
- Lighting:**..... High efficiency Fluorescent with switch on inside wall.
- Sprinkler Sleeve:**.. One sleeve per section. Qty. 1

Notes:

Series CAP701 Air Shower Options List
CAP701LP-ST-4972

**Air Shower
General Options:...** Raised Floor Return (*Option Code 44*)..... _____

**Air Shower
Power Option:.....** 380Volt, 60Hz, 8.0 Amps per Section (*14*)..... _____
480Volt, 60Hz, 6.5 Amps per Section (*11*)..... _____
575Volt, 60Hz, 5.3 Amps per Section (*12*)..... _____

**Air Shower
Shell Options:.....** Stainless Steel Walls and Cabinet-Type 304#4 Finish (*40*).... _____
Stainless Steel Walls and Cabinet-Type 316-2b Finish (*41*)... _____
Stainless Steel Pharmaceutical Applications (*42*)..... _____
Non-Standard Paint - Customer Specified (*43*)..... _____

**Air Shower
Nozzle Options:....** Fixed Nozzles (*47*)..... _____
Ceiling Nozzles (*48*)..... _____
Concentrated Wall Nozzle Pattern (*49*)..... _____
Air Knife Nozzle (*50*)..... _____
Rub Rail Nozzle Protection (*45*)..... _____
Wall Point Ionization System (*51*)..... _____

**Air Shower
Control Options:...** NEMA12 Upgraded Control Box (*19*)..... _____
Stainless Steel Upgrade Control Box (*20*)..... _____
Optional Control Box Position (*16*)..... _____
Remote Mounted Control Box (*17*)..... _____
Whip - Prewired Flex Conduit (*24*)..... _____
Variable Frequency Drive (*21*)..... _____
Interior Presence Sensor (*75*)..... _____
Motion Sensor Start (*86*)..... _____
Fused Disconnect (*22*)..... _____
LCD Display Panel 5.7" Color Display (*26*)..... _____
Incandescent Light Fixture (*25*)..... _____
LED Light Fixture (*27*)..... _____

**Air Shower
Door Options:.....** Steel Construction-Painted (*77*)..... _____
Stainless Steel Construction (*76*)..... _____
Acrylic Panel-Full (*82*)..... _____
Split Panel Design-Safety Glass/Stainless Steel (*83*)..... _____
Split Panel Design- Acrylic/Stainless Steel (*84*)..... _____
Door Rub Rails (*81*)..... _____
Magnetic Interlocks-External Mount (*72*)..... _____
Magnetic Interlocks-Internal Mount (*73*)..... _____
Power Door Openers (*74*)..... _____
Stainless Steel Threshold (*80*)..... _____
Door Sweeps-Fixed (*78*)..... _____
Automatic Door Sweeps (*79*)..... _____

**Air Shower
Filter Options:.....** HEPA Upgrade to 99.99% on 0.3 Micron Particles (*2*)..... _____
ULPA Upgrade to 99.999% on 0.12 Micron Particles (*3*)..... _____
Magnehelic Gage-Single (*4*)..... _____
Magnehelic Gages-Dual (*5*)..... _____
Minihelic Gage-Single (*6*)..... _____