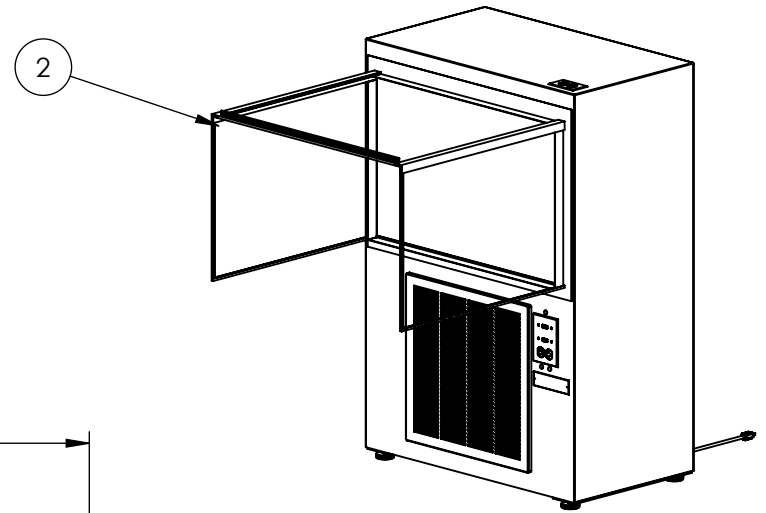
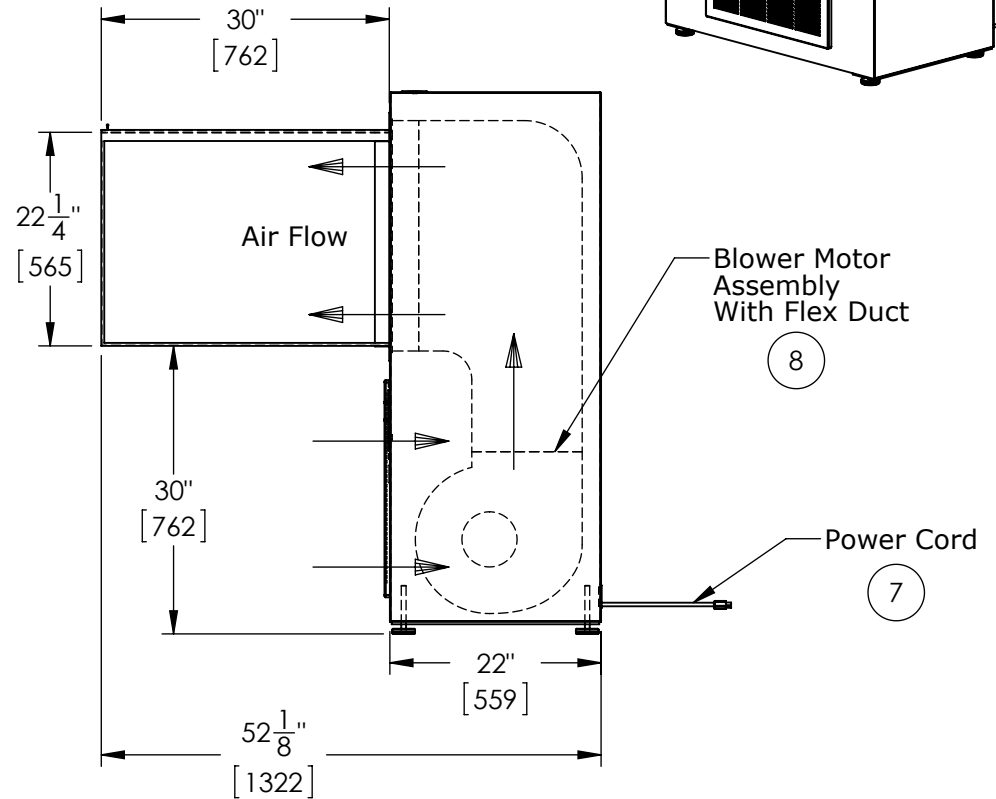
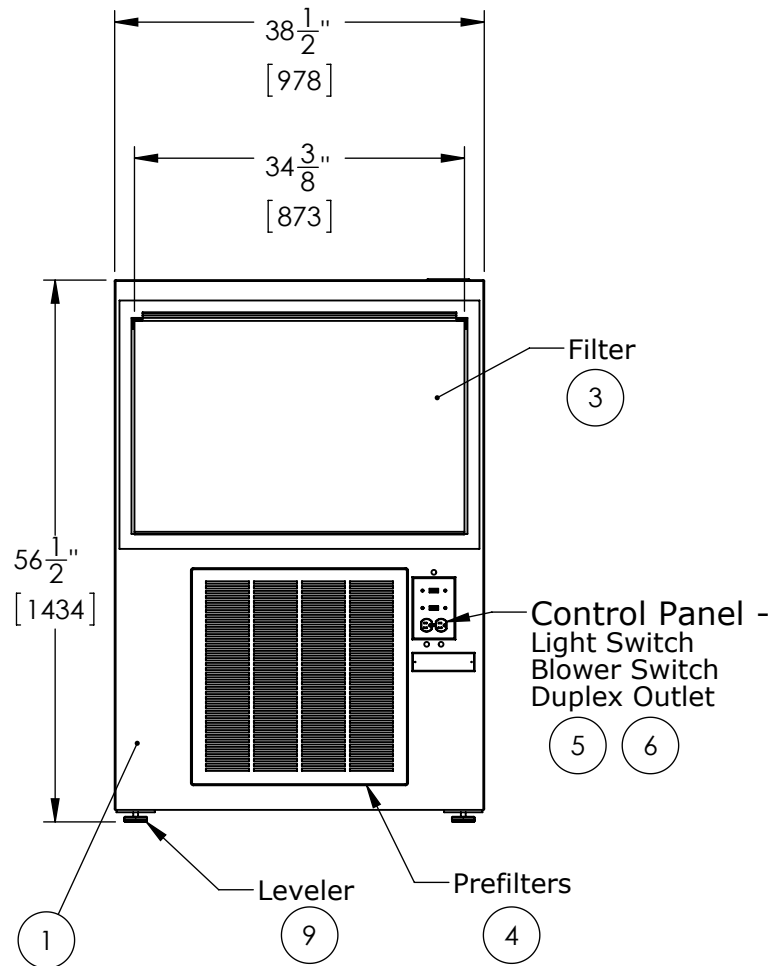


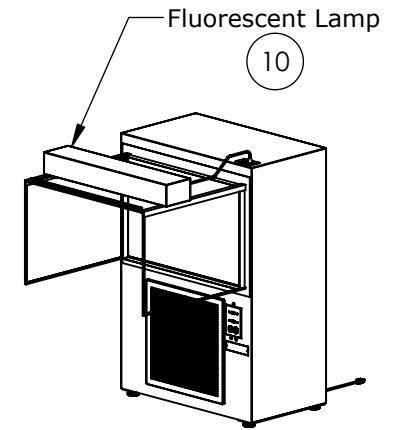
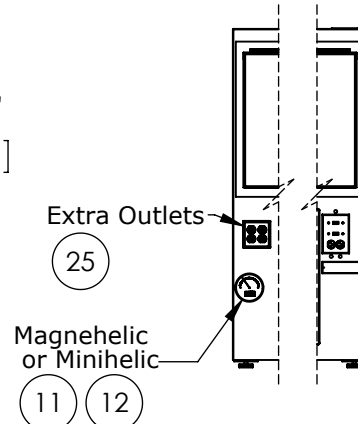
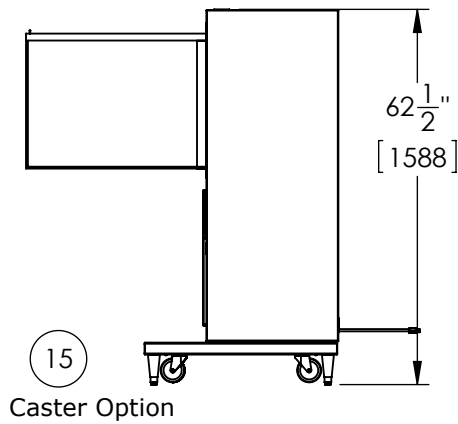
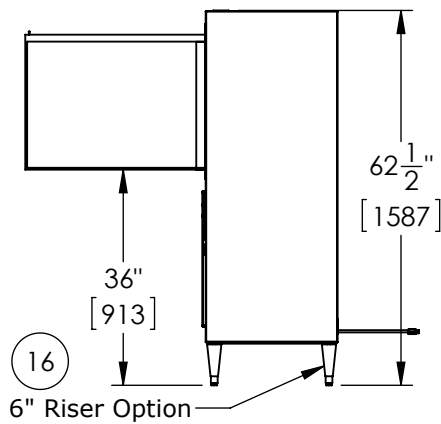
NOTES: UNLESS OTHERWISE SPECIFIED

1. DIMENSIONS ARE IN INCHES (mm).



© COPYRIGHT 2010 CLEAN AIR PRODUCTS	Clean Air PRODUCTS	8605 WYOMING AVENUE NORTH • MINNEAPOLIS, MN 55445 800-423-9728 • ph: 763-425-9122 • fax: 763-425-2004 www.cleanairproducts.com
	DESCRIPTION.	Horizontal Flow Clean Bench CAP303-324-30H-30D
	QUOTE NO.	
	DO NOT SCALE	DATE DRAWN 12/10/2012
	REV	SHEET
	1	1 of 2

OPTIONS:



Standard Features:

1. Heavy Gauge White Vinyl Clad Steel Construction
2. Clear Polycarbonate Hood Panels: 30" from Floor +/- 1/2" With Leg Adjustment
3. Front Removable HEPA- 99.99% on 0.3 Micron Filter (Expanded Steel, Epoxy Painted, Screen On Final Filter Face)
4. Fiberglass Pre-filter Behind Hinged Louvered Grill
5. Electrical Service: Convenience Receptacle (4 Amps Available), 120V, 1-Phase, 3 Wire, With Power Cord, 9.09 A FLA
6. Blower & Light Switch
7. Power Cord (5-15P)
8. Blower Motor Assembly With Flex Duct
9. Adjustable Leg Leveling Glides

Options:

10. Fluorescent Light - T8 Lamps
11. Magnehelic Gage
12. Minihelic Gage
13. Stainless Steel Work Surface
14. Stainless Steel Cabinet
15. Casters, With Equipment Legs - Increase Work Surface Height 6"
16. 6" Equipment Legs
17. Conductive Plastic Laminate Table Top
18. Ion Bar System
19. Grill on HEPA (Removable)
20. Anti-Static PVC Hood Panels
21. Safety Glass Hood Panels
22. Safety Glass Top & Stainless Hood Panels
23. Deeper Hood Area (36", 42", 48")
24. ULPA - 99.999% on 0.12 Micron Filter
25. Extra Service Receptacle-Separate 15A Power Cord

NOTES: UNLESS OTHERWISE SPECIFIED

1. DIMENSIONS ARE IN INCHES (mm).

© COPYRIGHT 2010 CLEAN AIR PRODUCTS	Clean Air PRODUCTS		8605 WYOMING AVENUE NORTH • MINNEAPOLIS, MN 55445 800-423-9728 • ph: 763-425-9122 • fax: 763-425-2004 www.cleanairproducts.com			
	DESCRIPTION.		Horizontal Flow Clean Bench CAP303-324-30H-30D			
	QUOTE NO.					
	DO NOT SCALE		DATE DRAWN 12/10/2012	QUOTE FORM 038139	REV 1	SHEET 2 of 2