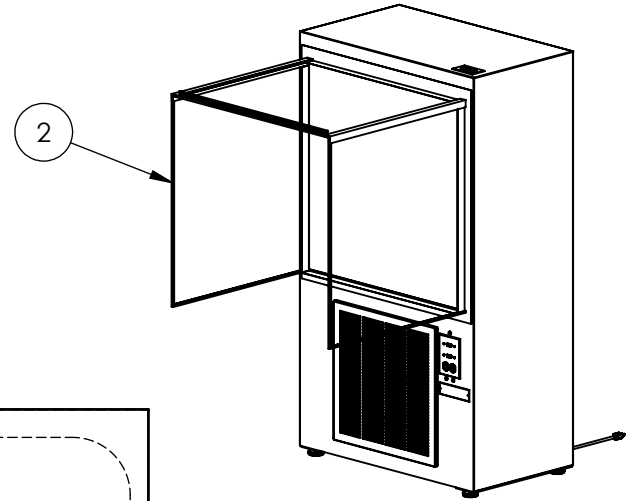
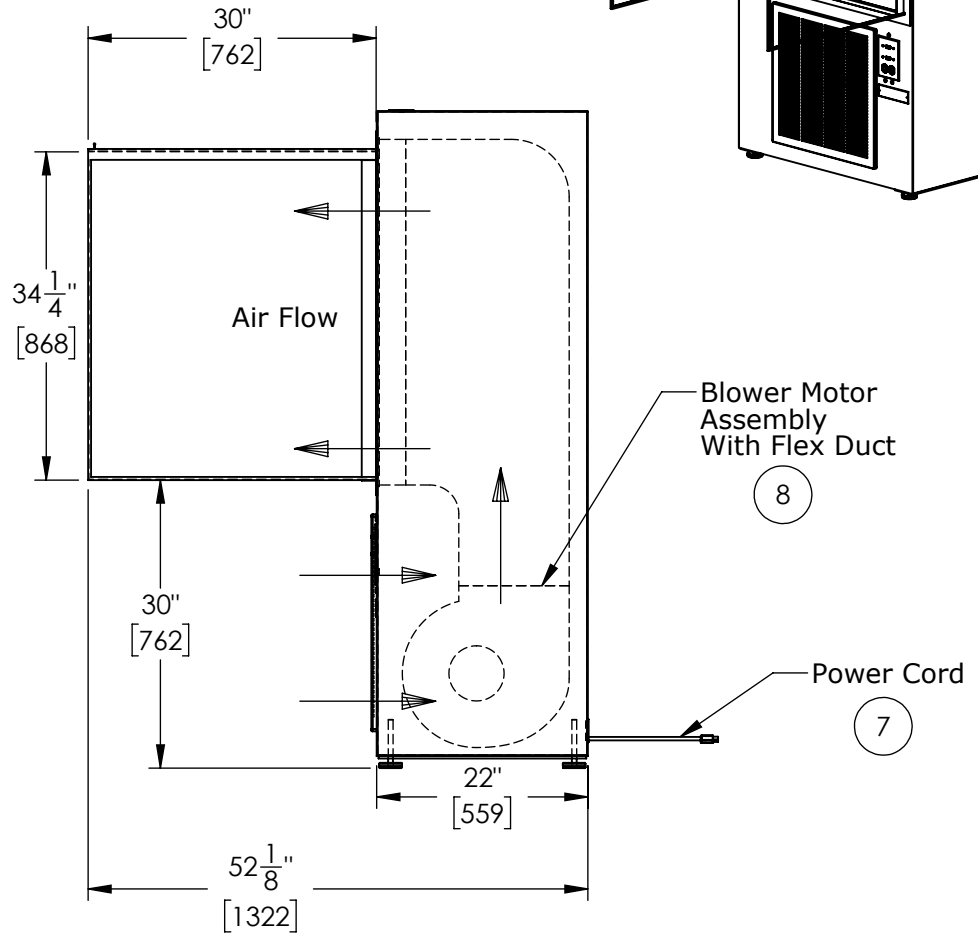
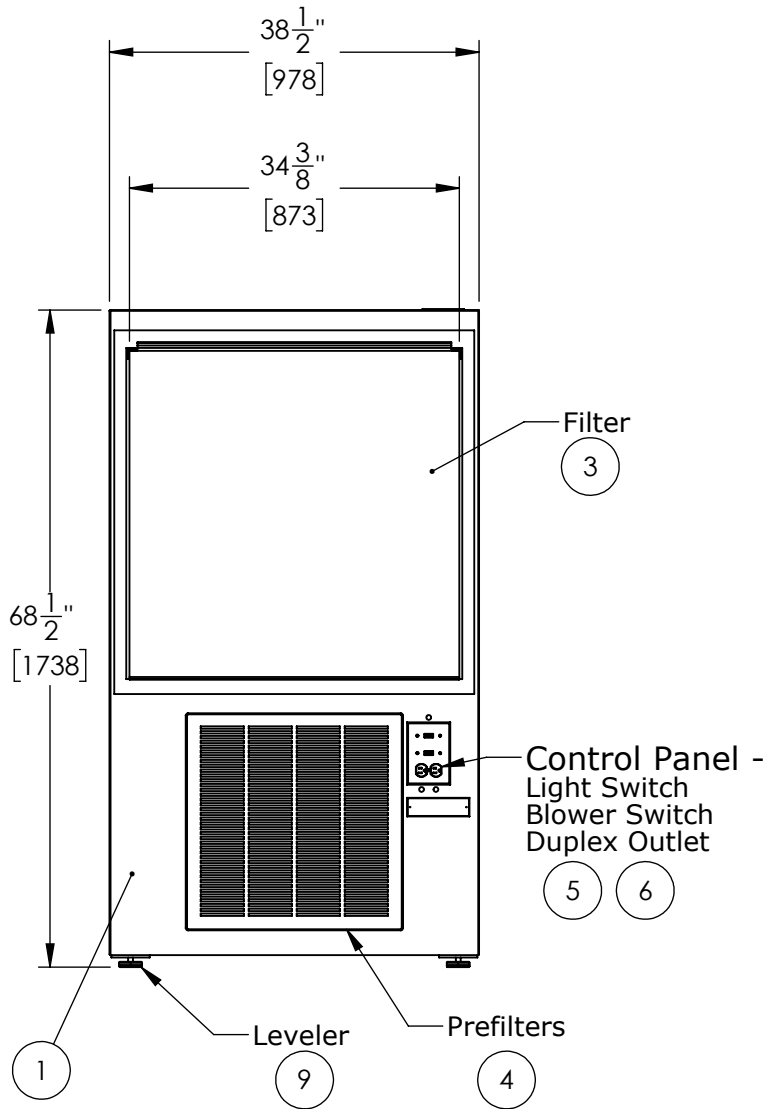


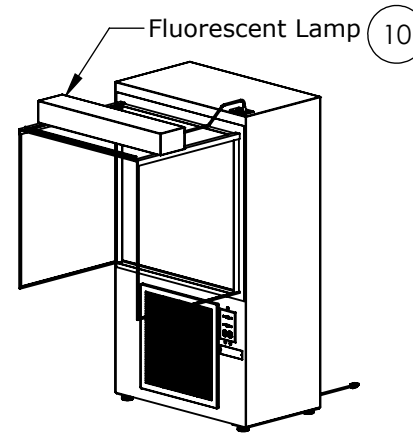
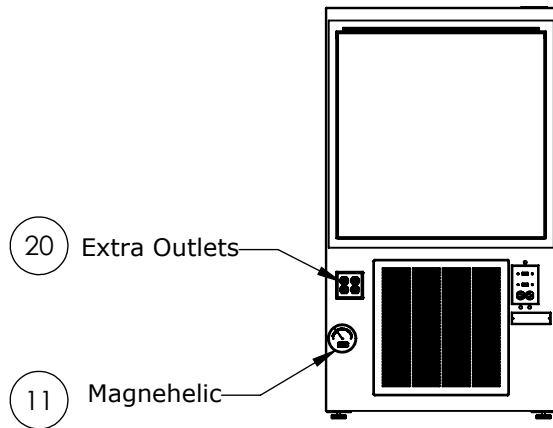
NOTES: UNLESS OTHERWISE SPECIFIED

1. DIMENSIONS ARE IN INCHES (mm).



|  |                           |                      |  |                 |  |
|--|---------------------------|----------------------|--|-----------------|--|
| © COPYRIGHT 2010<br>CLEAN AIR PRODUCTS | <b>Clean Air PRODUCTS</b> |                      | 8605 WYOMING AVENUE NORTH • MINNEAPOLIS, MN 55445<br>800-423-9728 • ph: 763-425-9122 • fax: 763-425-2004<br>www.cleanairproducts.com |                 |  |
|  | DESCRIPTION.              |                      | Horizontal Flow Clean Bench<br>CAP303-336-30H  |                 |  |
|  | QUOTE NO.                 |                      | DO NOT SCALE   |                 |  |
|  | DATE DRAWN<br>12/14/2012  | QUOTE FORM<br>038256 | REV<br>1   | SHEET<br>1 of 2 |  |

**OPTIONS:**



**Standard Features:**

1. Heavy Gauge White Vinyl Clad Steel Construction
2. Clear Polycarbonate Hood Panels: 30" from Floor +/- 1/2" With Leg Adjustment
3. Front Removable HEPA- 99.99% on 0.3 Micron Filter (Expanded Steel, Epoxy Painted, Screen On Final Filter Face)
4. Fiberglass Pre-filter Behind Hinged Louvered Grill
5. Electrical Service: Convenience Receptacle (4 Amps Available), 120V, 1-Phase, 3 Wire, With Power Cord, 10.69 A FLA
6. Blower & Light Switch
7. Power Cord (5-15P)
8. Blower Motor Assembly With Flex Duct
9. Adjustable Leg Leveling Glides

**Options:**

10. Fluorescent Light - T8 Lamps
11. Magnehelic Gage
12. Conductive Plastic Laminate Table Top
13. Ion Bar System
14. Grill on HEPA (Removable)
15. Anti-Static Polycarbonate Hood Panels
16. Safety Glass Hood Panels
17. Safety Glass Top & Stainless Hood Panels
18. Deeper Hood Area (36",42",48")
19. ULPA - 99.999% on 0.12 Micron Filter
20. Extra Service Receptacle-Separate 15A Power Cord

NOTES: UNLESS OTHERWISE SPECIFIED

1. DIMENSIONS ARE IN INCHES (mm).

|  |                           |            |   |       |  |
|--|---------------------------|------------|---|-------|--|
| © COPYRIGHT 2010<br>CLEAN AIR PRODUCTS | <b>Clean Air PRODUCTS</b> |            | 8605 WYOMING AVENUE NORTH • MINNEAPOLIS, MN 55445<br>800-423-9728 • ph: 763-425-9122 • fax:763-425-2004<br>www.cleanairproducts.com |       |  |
|  | DESCRIPTION.              |            | Horizontal Flow Clean Bench<br>CAP303-336-30H   |       |  |
|  | QUOTE NO.                 |            | DO NOT SCALE  |       |  |
|  | DATE DRAWN                | QUOTE FORM | REV   | SHEET |  |
| 12/14/2012                             | 038256                    | 1          | 2 of 2  |       |  |