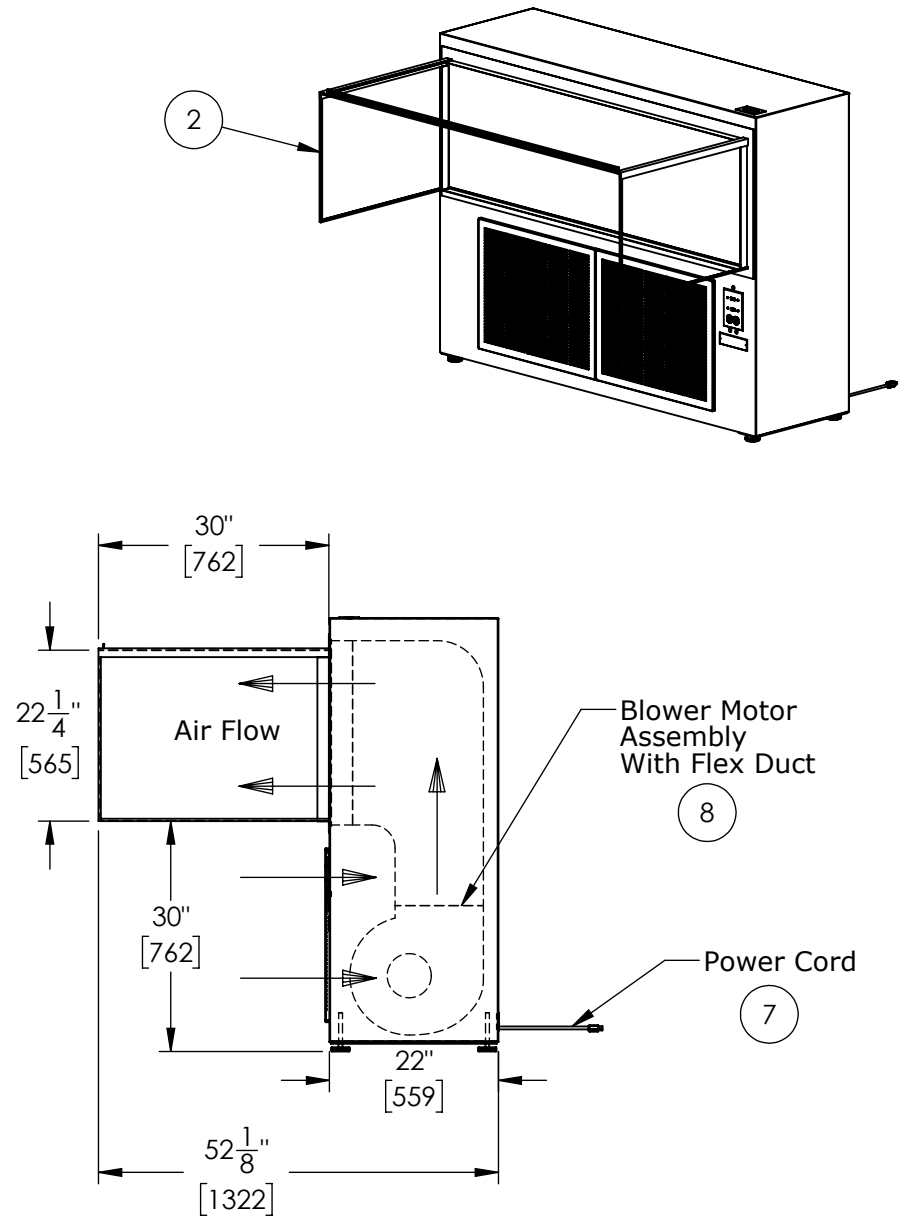
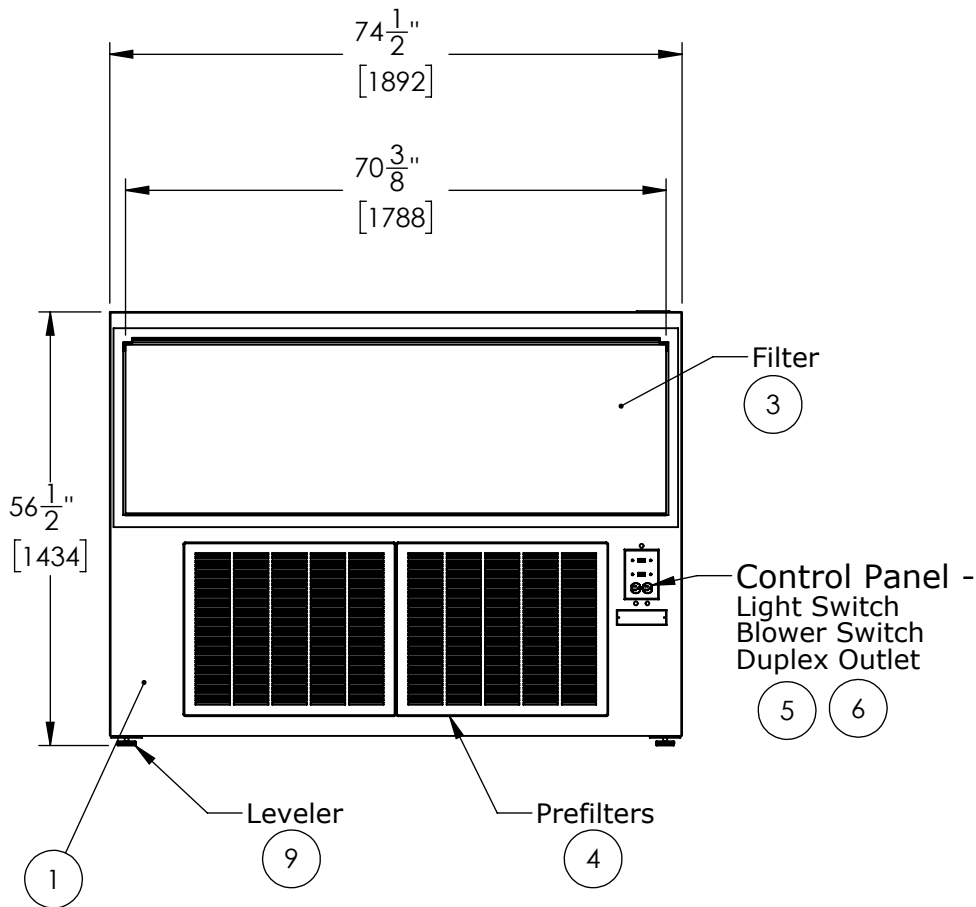


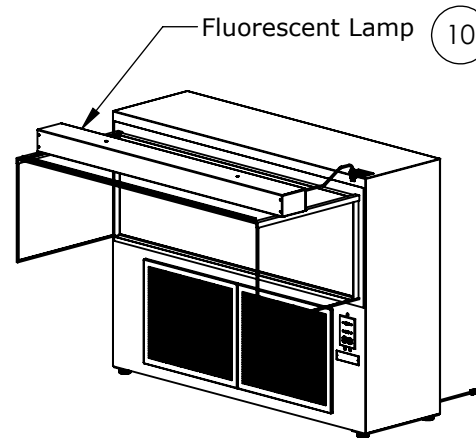
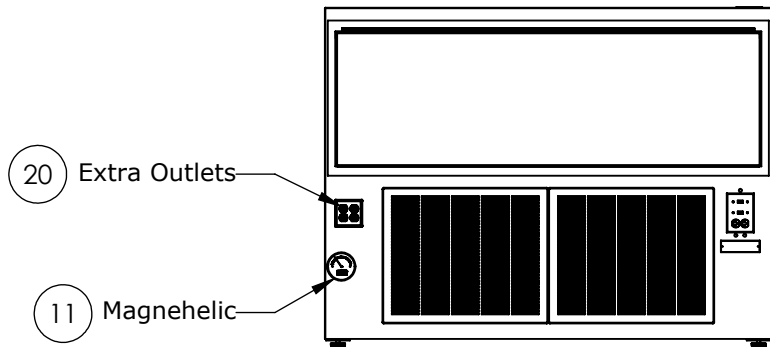
NOTES: UNLESS OTHERWISE SPECIFIED

1. DIMENSIONS ARE IN INCHES (mm).



|  |                           |                          |  |          |                 |
|--|---------------------------|--------------------------|--|----------|-----------------|
| © COPYRIGHT 2010<br>CLEAN AIR PRODUCTS | <b>Clean Air PRODUCTS</b> |                          | 8605 WYOMING AVENUE NORTH • MINNEAPOLIS, MN 55445<br>800-423-9728 • ph: 763-425-9122 • fax: 763-425-2004<br>www.cleanairproducts.com |          |                 |
|  | DESCRIPTION.              |                          | Horizontal Flow Clean Bench<br>CAP303-624-30H  |          |                 |
|  | QUOTE NO.                 |                          |  |          |                 |
|  | DO NOT SCALE              | DATE DRAWN<br>12/07/2012 | QUOTE FORM<br>038098   | REV<br>1 | SHEET<br>1 of 2 |

**OPTIONS:**



**Standard Features:**

1. Heavy Gauge White Vinyl Clad Steel Construction
2. Clear Polycarbonate Hood Panels: 30" from Floor +/- 1/2" With Leg Adjustment
3. Front Removable HEPA- 99.99% on 0.3 Micron Filter (Expanded Steel, Epoxy Painted, Screen On Final Filter Face)
4. Fiberglass Pre-filter Behind Hinged Louvered Grill
5. Electrical Service: Convenience Receptacle (4 Amps Available), 120V, 1-Phase, 3 Wire, With Power Cord, 10.69 A FLA
6. Blower & Light Switch
7. Power Cord (5-15P)
8. Blower Motor Assembly With Flex Duct
9. Adjustable Leg Leveling Glides

**Options:**

10. Fluorescent Light - T8 Lamps
11. Magnehelic Gage
12. Conductive Plastic Laminate Table Top
13. Ion Bar System
14. Grill on HEPA (Removable)
15. Anti-Static Polycarbonate Hood Panels
16. Safety Glass Hood Panels
17. Safety Glass Top & Stainless Hood Panels
18. Deeper Hood Area (36",42",48")
19. ULPA - 99.999% on 0.12 Micron Filter
20. Extra Service Receptacle-Separate 15A Power Cord

NOTES: UNLESS OTHERWISE SPECIFIED  
 1. DIMENSIONS ARE IN INCHES (mm).

|  |                           |  |   |                      |          |                 |
|--|---------------------------|--|---|----------------------|----------|-----------------|
| © COPYRIGHT 2010<br>CLEAN AIR PRODUCTS | <b>Clean Air PRODUCTS</b> |  | 8605 WYOMING AVENUE NORTH • MINNEAPOLIS, MN 55445<br>800-423-9728 • ph: 763-425-9122 • fax:763-425-2004<br>www.cleanairproducts.com |                      |          |                 |
|  | DESCRIPTION.              |  | Horizontal Flow Clean Bench<br>CAP303-624-30H   |                      |          |                 |
|  | QUOTE NO.                 |  |   |                      |          |                 |
|  | <b>DO NOT SCALE</b>       |  | DATE DRAWN<br>12/07/2012  | QUOTE FORM<br>038098 | REV<br>1 | SHEET<br>2 of 2 |