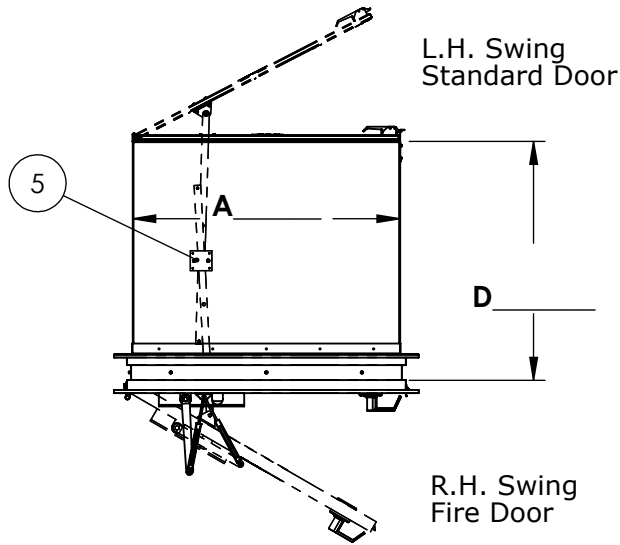


NOTES: UNLESS OTHERWISE SPECIFIED

1. DIMENSIONS ARE IN INCHES (mm).



Pass Thru Dimensions:

**W = Inside Width**  
**H = Inside Height**  
**D = Inside Depth**  
**A = W + 3 3/8"**  
**B = H + 3 1/4"**

Fire Door Dimensions:

**FW = W + 11"**  
**FH = H + 8-3/4"**  
**DW = FW - 4"**  
**DH = FH - 4"**  
**T = Throat Depth (Wall Thickness)**

UNITS ARE STRETCHED IN ONE INCH INCREMENTS DUE TO FIRE DOOR CONSTRUCTION

Notes:

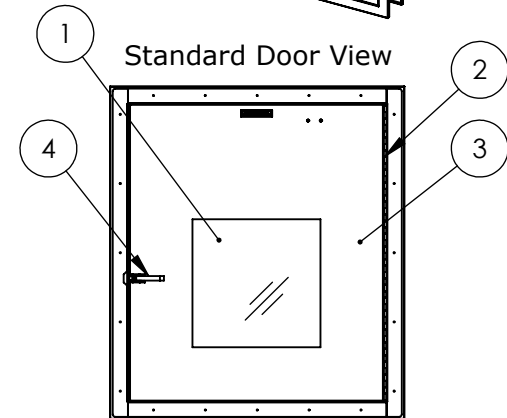
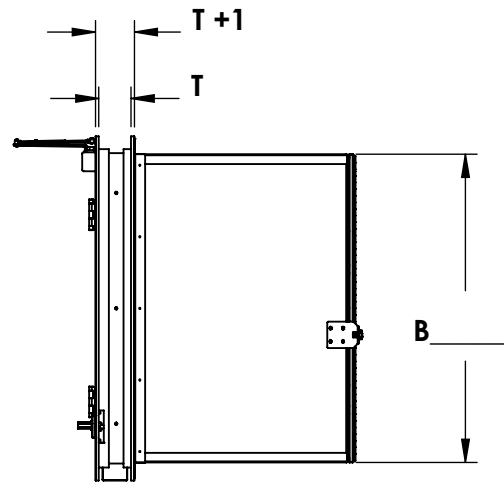
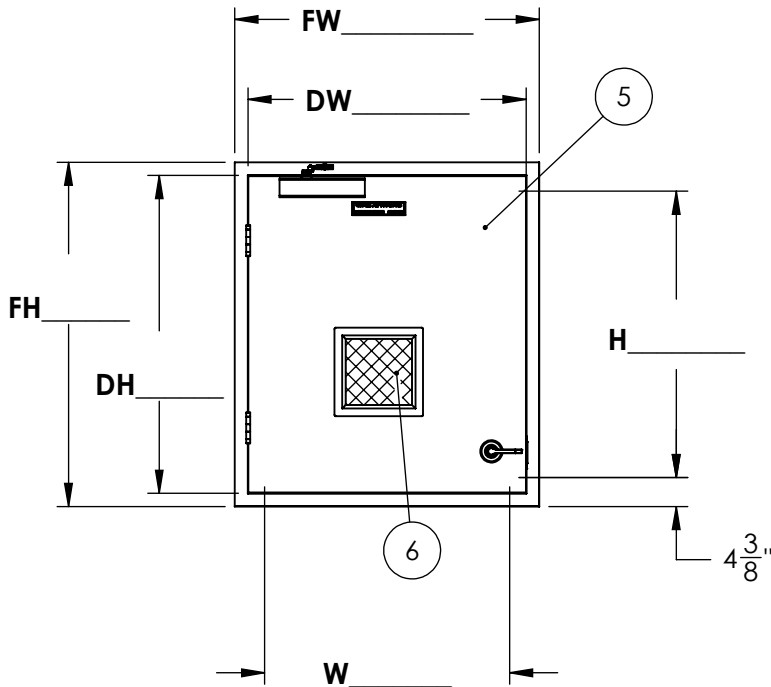
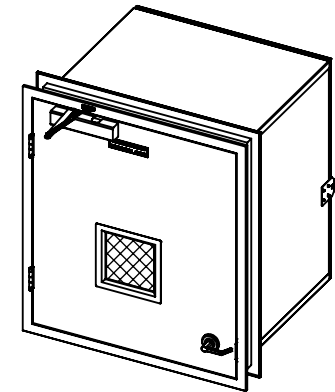
1. Material: Stainless Steel, Type 304, #4 Finish
2. Electrical Requirements: None

Features:

1. Clear Tempered Safety Glass
2. Stainless Steel Flush Mount Hinge
3. Stainless Steel Door Frame
4. Compression latch, Over Center - Stainless Steel
5. Fire Rated Door with Closer
6. Clear Wire Safety Glass

Options Shown:

7. Mechanical Interlock



**Note:**  
 Interlocking and non-interlocking units have the same exterior dimensions unless noted

© COPYRIGHT 2010 CLEAN AIR PRODUCTS	<b>Clean Air PRODUCTS</b>		8605 WYOMING AVENUE NORTH • MINNEAPOLIS, MN 55445 800-423-9728 • ph: 763-425-9122 • fax: 763-425-2004 www.cleanairproducts.com		
	DESCRIPTION: <i>Pass Thru - Wall Mount - Fire Rated, Stainless Steel</i> <b>18WFR- R-SST- Wx Hx D</b>				
	QUOTE NO.				
	<b>DO NOT SCALE</b>	DATE DRAWN 02/07/2011	QUOTE FORM 015856	REV 1	SHEET 1 of 2

## Series CAP18 Pass Thru Options List

### CAP18WFR-SST

- Material Options:.....**
- Type 316L #2b Finish Stainless Steel
  - Electropolished Type 316L #2b finish Stainless Steel
  - Electropolished Type 304 #4 finish Stainless Steel
- Window Options:.....**
- Clear Wire Safety Glass
  - Clear Laminated Safety Glass
  - Amber Tempered Safety Glass
  - Clear PVC
  - Tinted Electrostatic Dissipative (ESD) Polycarbonate
  - Clear Polycarbonate
  - Clear Acrylic
  - Yellow Acrylic
  - Amber Acrylic
  - Tinted Ultra-Violet Light Filtering Acrylic
  - No Window (Solid Stainless Steel Door)
- Interlock Options:...**
- Fire Rated Mechanical Interlock  
(Reduces inside height by 1-7/8")
- Mounting Options:...**
- Stainless Steel Support Gussets
  - Stainless Steel Support Legs
  - 8 Peice Stainless Steel Sloped Top Mounting Frame
  - 8 Peice Stainless Steel Flush-Style Mounting Frame
- Shelfing Options:.....**
- Stainless Steel Catch Tray
  - Stainless Steel Fire Rated Door
  - Solid Stainless Steel Adjustable Shelf
  - Perforated Stainless Steel Adjustable Shelf
  - Solid Stainless Steel Non-Adjustable Set-In Shelf
  - Perforated Stainless Steel Non-Adjustable Set-In Shelf
  - Key-Locking Stainless Steel Lever Compression
- Design Options:.....**
- Stainless Steel Fire Rated Door
  - Duplex Receptacle with Stainless Steel Cover
  - UV Light without Timed Shut Off
  - UV Light with Timed Shut Off
  - Ventilation Couplings
  - Low-Outgassing Design