

NOTES: UNLESS OTHERWISE SPECIFIED

1. DIMENSIONS ARE IN INCHES (mm).

**Features:**

1. Leaded Glass Window in Doors (3mm Lead equivalency) (Reduces Internal Depth by 2-1/2")
2. Stainless Steel Flush Mount Hinge
3. Stainless Steel Door Frame
4. Lever Compression Door Latch, Stainless Steel
5. 1/4" Thick Lead Encapsulated Area (Door and Body)

**Pass Thru Operation - One Hand:**

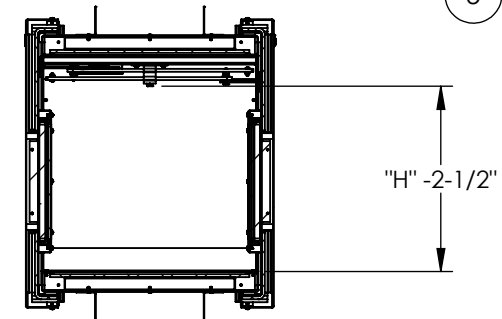
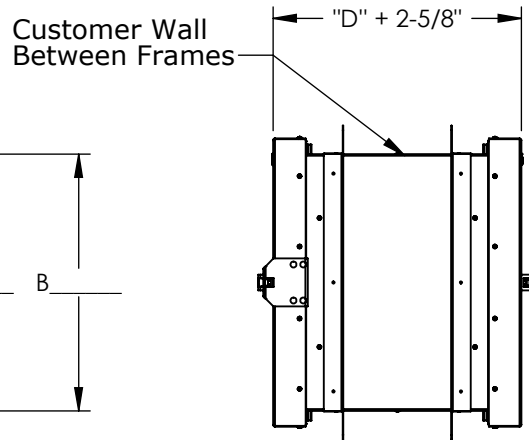
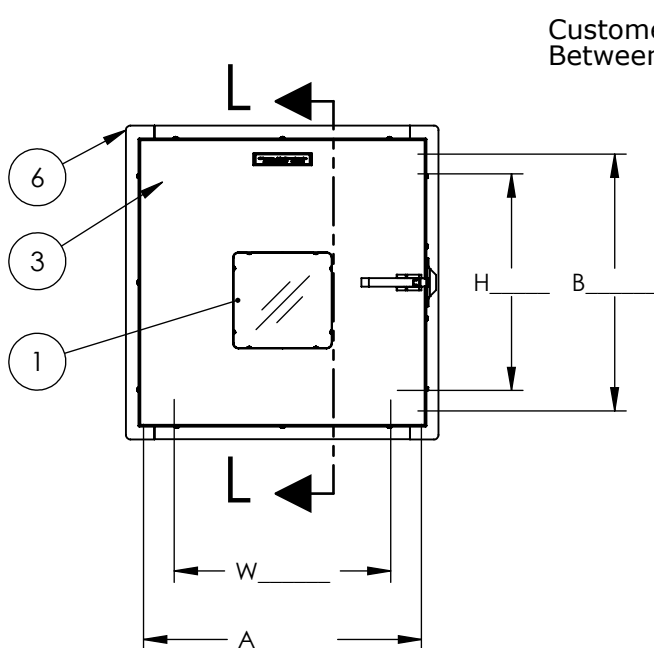
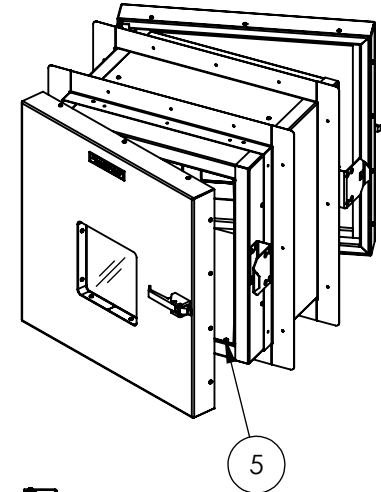
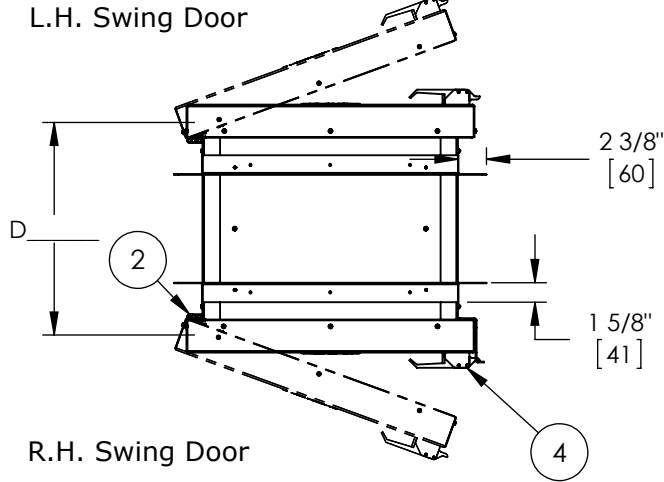
Turn Interlock Handle (4) to Operate Interlock

**Options Shown:**

6. 8 Pc. Stainless Steel Mounting Frame
7. Top Internal Mount Mechanical Interlock (Reduces Inside Height by 2-1/2")

**Notes:**

1. Wall Cutout is  $\frac{W \times H}{([A] + \frac{1}{2}'' \times [B] + \frac{1}{2}'')$
2. Material: Stainless Steel, Type 304, #4 Finish
3. Electrical Requirements: None
4. To Install Pass Thru, One Door Must Be Removed



**W = Inside Width**  
**H = Inside Height**  
**D = Depth**  
**A = W + 3-3/8"**  
**B = H + 3-3/8"**

**Note:**  
 Interlocking and non-interlocking units have the same exterior dimensions unless noted

© COPYRIGHT 2010 CLEAN AIR PRODUCTS	<b>Clean Air PRODUCTS</b>		8605 WYOMING AVENUE NORTH • MINNEAPOLIS, MN 55445 800-423-9728 • ph: 763-425-9122 • fax: 763-425-2004 www.cleanairproducts.com		
	DESCRIPTION.		<b>Pass Thru - Wall Mount, Stainless Steel - CAP18WLL-SST-___ Wx ___ Hx ___ D</b>		
	QUOTE NO.		<b>DO NOT SCALE</b>		
	DATE DRAWN 01/18/2017	QUOTE FORM 076983	REV 1	SHEET 1 of 2	

## CAP18 Pass Thru - Optional Upgrades List

### CAP18WLL-SST

- Material Options:.....**
- Type 316L #2b Finish Stainless Steel
  - Electropolished Type 316L #2b finish Stainless Steel
  - Electropolished Type 304 #4 finish Stainless Steel
- Window Options:.....**
- No Window (Solid Stainless Steel Door)
- Interlock Options:...**
- Top Internal Mount Mechanical Interlock (Reduces Inside Height by 2-1/2")
- Mounting Options:...**
- 8 Piece Stainless Steel Mounting Frame
  - 8 Piece Stainless Steel Flush-Style Mounting Frame
  - 8 Piece Stainless Steel Sloped Top Mounting Frame
  - Stainless Steel Support Gussets
  - Stainless Steel Support Legs
- Shelf Options:.....**
- Solid Stainless Steel Fixed Location, Removeable Shelf
  - Perforated Stainless Steel Fixed Location, Removeable Shelf
  - Solid Stainless Steel Non-Adjustable Set-In Shelf
  - Perforated Stainless Steel Non-Adjustable Set-In Shelf
  - Stainless Steel Catch Tray
- Latch Options:.....**
- Key-Locking Stainless Steel Lever Compression Door Latches