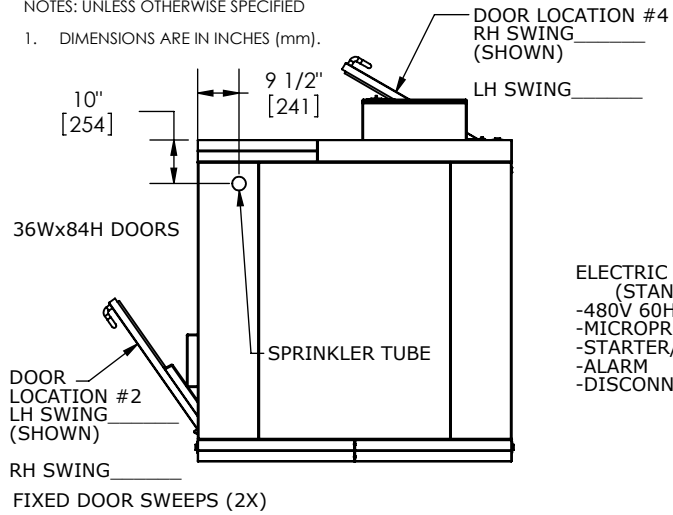
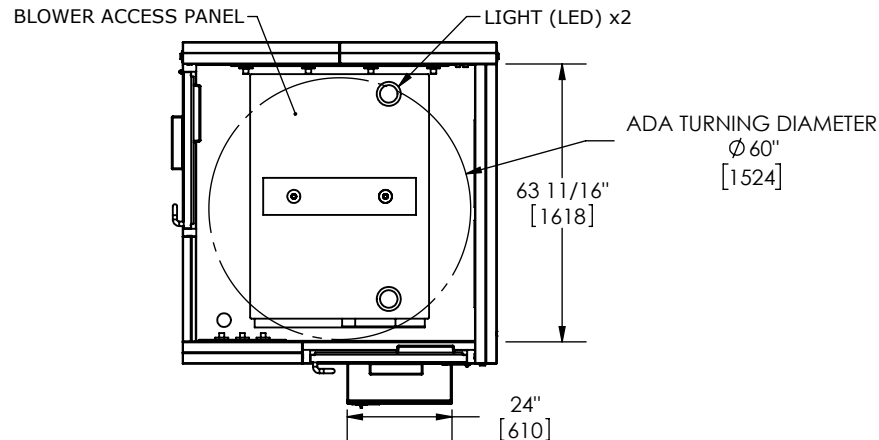
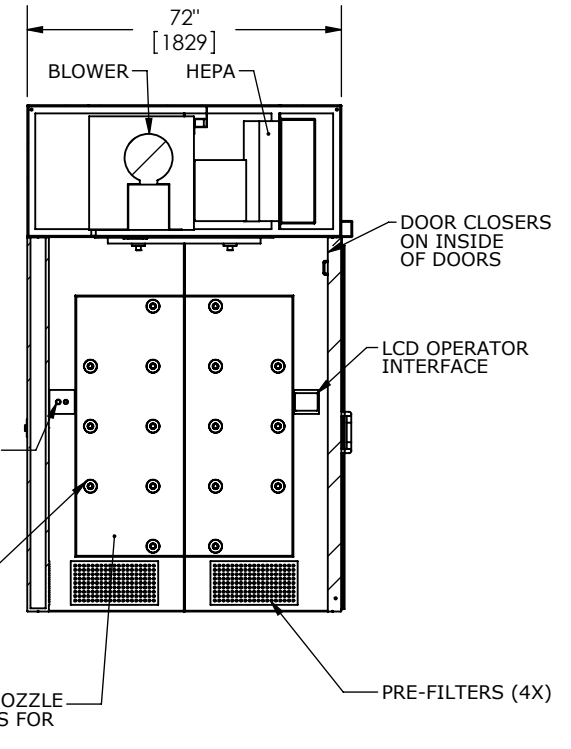
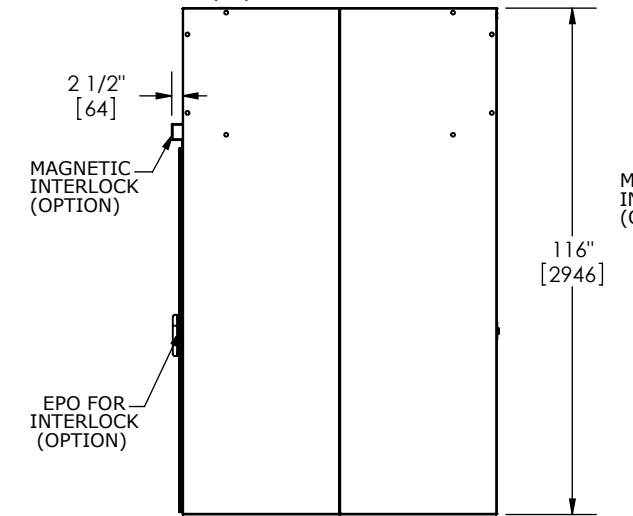
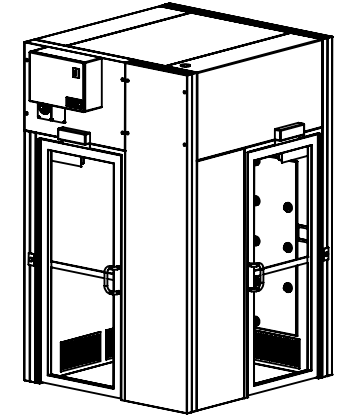
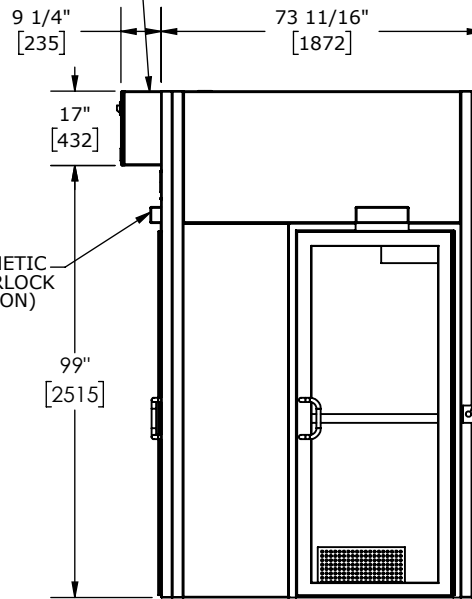


NOTES: UNLESS OTHERWISE SPECIFIED

1. DIMENSIONS ARE IN INCHES (mm).



ELECTRIC SERVICE (STANDARD)  
-480V 60Hz 3Ph  
-MICROPROCESSOR  
-STARTER/OVERLOAD  
-ALARM  
-DISCONNECT



© COPYRIGHT 2010 CLEAN AIR PRODUCTS	<b>Clean Air PRODUCTS</b>	8605 WYOMING AVENUE NORTH • MINNEAPOLIS, MN 55445 800-423-9728 • ph: 763-425-9122 • fax: 763-425-2004 www.cleanairproducts.com		
	DESCRIPTION.	<b>Air Shower - 90 Degree CAP701KD-LH-7372-ADA</b>		
	QUOTE NO.			
	<b>DO NOT SCALE</b>	DATE DRAWN 2/22/2019	QUOTE FORM 007582	REV 3

## CAP701 Air Shower Specification Sheet

### Air Shower- CAP701KD-LH-7372-ADA, Quote

#### Standard Electrical:

- Motor:**..... 5HP, 3600RPM, 182T frame, open drip, sealed ball bearing, Qty. 1
- Blower:**..... High efficiency, Non-overloading aluminum airfoil, direct drive, overhead mounted
- Power Supply:**..... 480Volt, 60Hz, 3 Phase, 3 Wire w/Ground, 6.9 FLA, Gray painted steel electrical control panel, mounted above one door. Motor starter with electronic overloads inside control panel. Disconnect switch mounted on face of electrical control panel. UL Listed Panel.

#### Standard Construction:

- Shell:**..... Cold-rolled steel with white powder coat finish, interior and exterior.
- Doors:**..... Aluminum frame and Jamb, Clear safety glass (full), Closer on each door.
- Door Swing:**..... One Right Hand and One Left Hand. No charge for door swing change.
- Nozzles:**..... Anodized aluminum, adjustable, (32 Wall Nozzles, 2 Ceiling Nozzles). 1900 CFM. Nozzle Velocity: 7800 LFPM average.
- Filters:**..... HEPA: 24"x24"x11-1/2", 99.99% filtration of 0.3 micron particles.  
Prefilters: 10"x20"x1" Pleated Merv 8, 2 Total.
- Cleaning Cycle:**..... 0 to 99 sec. Microprocessor controller. ***Optional Interlocks Recommended***
- Service Access:**..... Filter, blower, motor, and light accessed from inside Air Shower.
- Shipping Method:**.. Shipped partially disassembled. When uncrated, components will fit through a standard 3'0"x7'0" door.
- Lighting:**..... LED Light with ON/OFF switch accessed via. human machine interface (HMI).
- Sprinkler Sleeve:**.. One sleeve per section. Qty. 1

#### **Notes:**