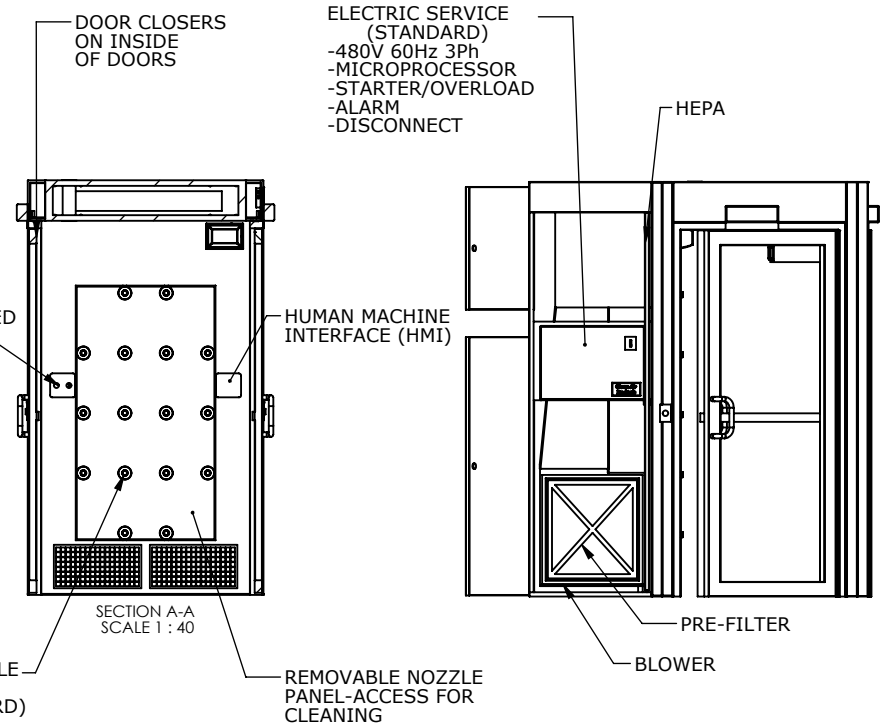
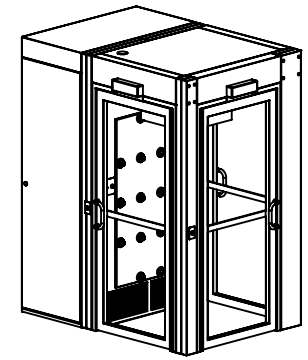
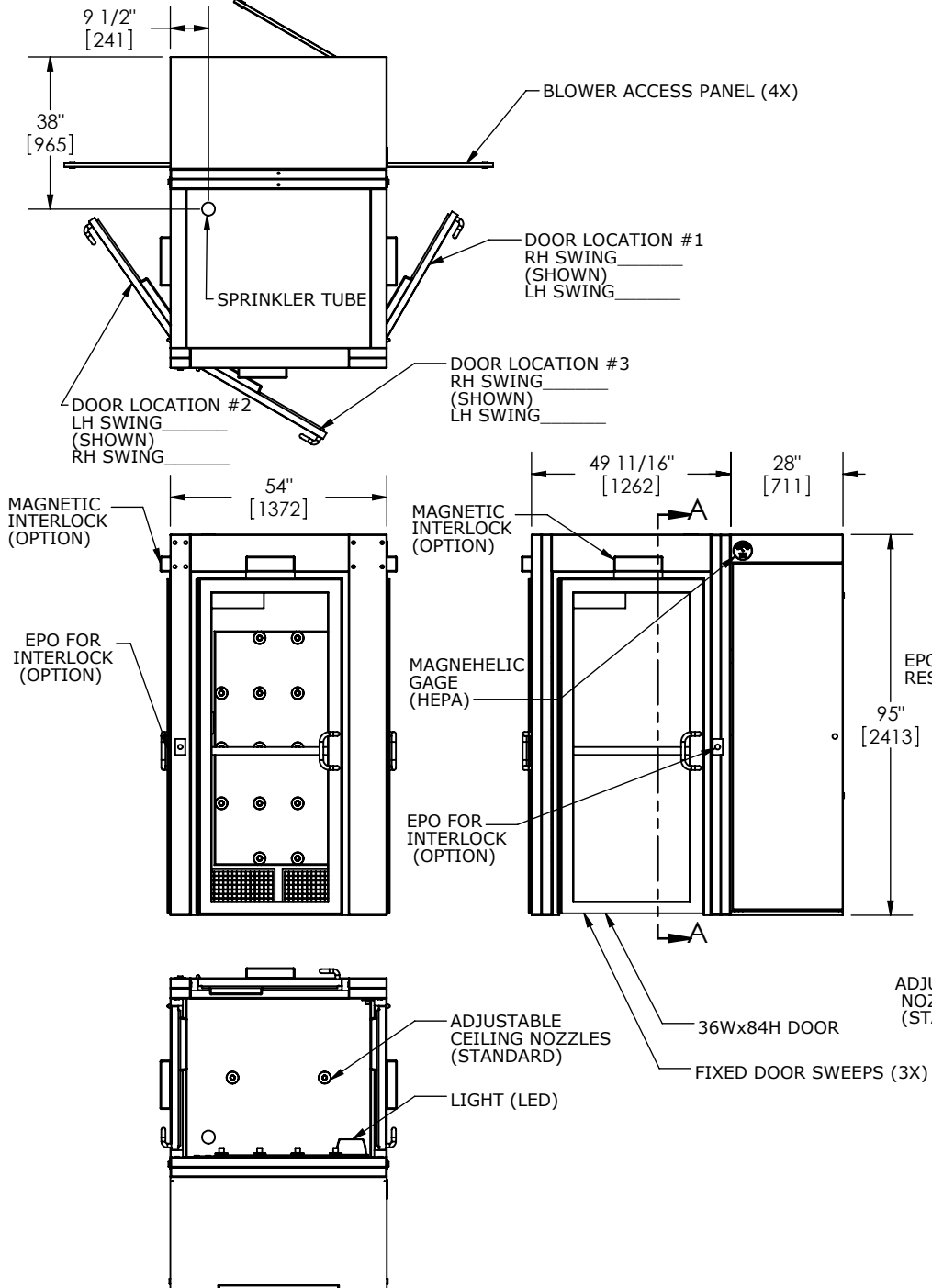


NOTES: UNLESS OTHERWISE SPECIFIED

1. DIMENSIONS ARE IN INCHES (mm).



© COPYRIGHT 2010 CLEAN AIR PRODUCTS	Clean Air PRODUCTS	8605 WYOMING AVENUE NORTH • MINNEAPOLIS, MN 55445 800-423-9728 • ph: 763-425-9122 • fax:763-425-2004 www.cleanairproducts.com		
	DESCRIPTION.	Air Shower - 3 Door CAP701LP-3DLH-4954		
	QUOTE NO.			
	DO NOT SCALE	DATE DRAWN 2/25/2019	QUOTE FORM 004181	REV 2

CAP701 Air Shower Specification Sheet

Air Shower- CAP701LP-3DLH-4954, Quote

Standard Electrical:

- Motor:**..... 5HP, 3600RPM, 182T frame, open drip, sealed ball bearing, Qty. 1
Meets or exceeded U.S. EPAct and NRCan Canadian efficiency standards
- Blower:**..... High efficiency, Non-overloading aluminum airfoil, direct drive, overhead mounted
- Power Supply:**..... 480Volt, 60Hz, 3 Phase, 3 Wire w/Ground, 6.9FLA, Gray painted steel electrical control panel, mounted in blower cabinet. Motor starter with electronic overloads inside control panel. Disconnect switch mounted on face of electrical control panel. UL Listed Panel.

Standard Construction:

- Shell:**..... Cold-rolled steel with white powder coat finish, interior and exterior.
- Doors:**..... Aluminum frame and Jamb, Clear safety glass (full), Closer on each door.
- Door Swing:**..... Two Right Hand and One Left Hand. No charge for door swing change.
- Nozzles:**..... Anodized aluminum, adjustable, (32 Wall Nozzles, 2 Ceiling Nozzles).
1900 CFM. Nozzle Velocity: 7800 LFPM average.
- Filters:**..... HEPA: 24"x24"x11-1/2", 99.99% filtration of 0.3 micron particles.
Prefilters: 10"x20"x1" Pleated Merv 8, 2 Total.
- Cleaning Cycle:**..... 0 to 99 sec. Microprocessor controller. ***Optional Interlocks Recommended***
- Service Access:**..... Filter, blower, and moter accessed from inside blower cabinet.
- Shipping Method:**.. Shipped partially disassembled. When uncrated, components will fit through a standard 3'0"x7'0" door.
- Lighting:**..... LED Light with ON/OFF switch accessed via. human machine interface (HMI).
- Sprinkler Sleeve:**.. One sleeve per section. Qty. 1

Notes: