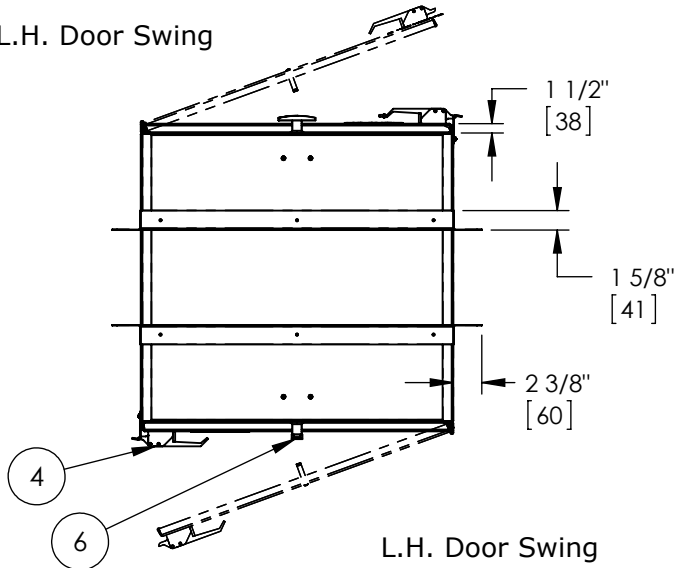


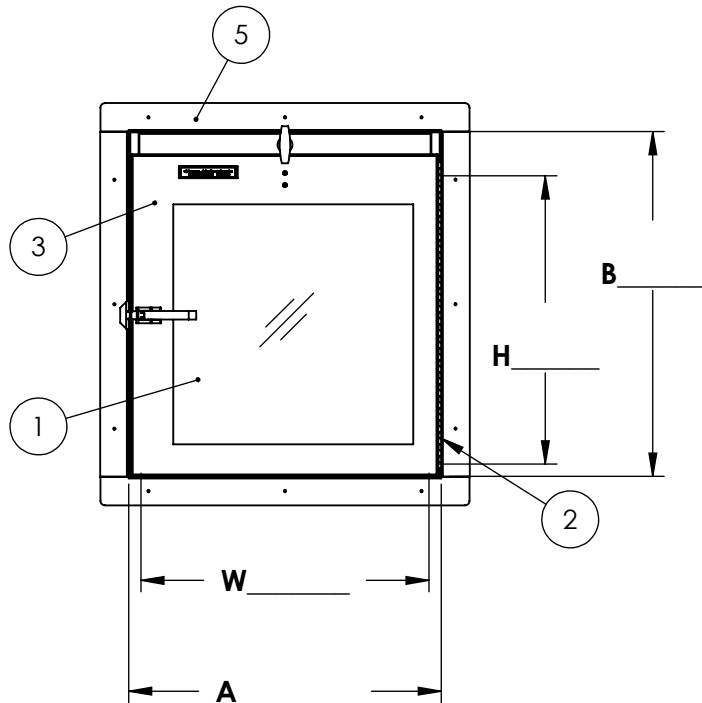
NOTES: UNLESS OTHERWISE SPECIFIED

1. DIMENSIONS ARE IN INCHES (mm).

L.H. Door Swing



L.H. Door Swing



Features:

1. Clear Tempered Safety Glass
2. Stainless Steel Flush Mount Hinge
3. Stainless Steel Door Frame
4. Lever Compression Door Latch, Stainless Steel

Options Shown:

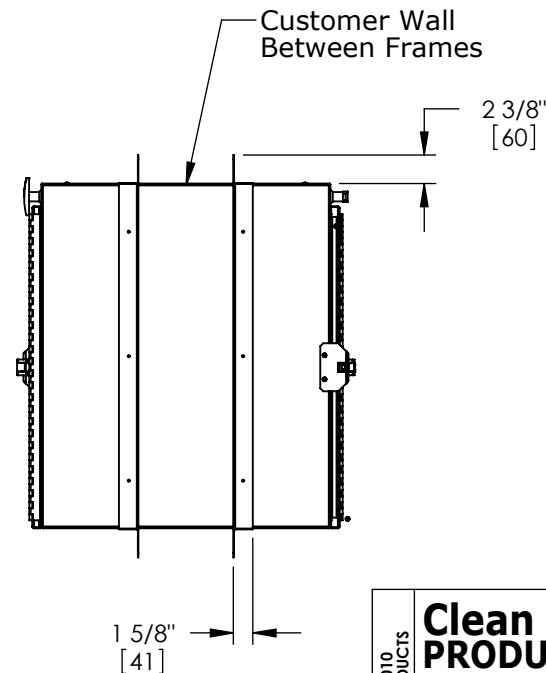
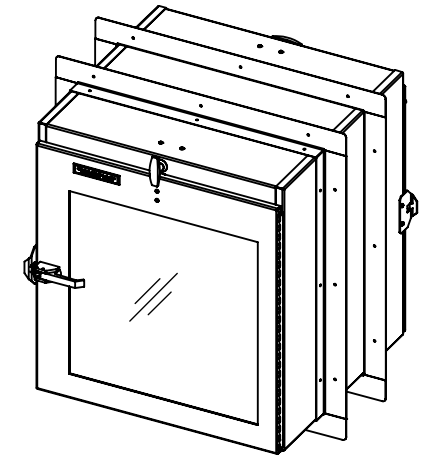
5. 8 Pc. Stainless Steel Mounting Frame
6. Interlock Handle, T, Non-Locking Stainless Steel

Notes:

1. Wall Cutout is  $\frac{x}{([A] + \frac{1}{2}'' \times [B] + \frac{1}{2}'')}$
2. Material: Stainless Steel, Type 304, #4 Finish
3. Electrical Requirements: None

Pass Thru Operation - One Hand:

Turn Interlock Handle (6) to Operate Interlock  
Pull Door Latch (4) to Open Door



**W = Inside Width**  
**H = Inside Height**  
**D = Depth**  
**A = W + 2"**  
**B = H + 4 - 3/4"**

**Note:**  
Interlocking and non-interlocking units have the same exterior dimensions unless noted

© COPYRIGHT 2010 CLEAN AIR PRODUCTS	<b>Clean Air PRODUCTS</b>		8605 WYOMING AVENUE NORTH • MINNEAPOLIS, MN 55445 800-423-9728 • ph: 763-425-9122 • fax: 763-425-2004 www.cleanairproducts.com		
	DESCRIPTION.		<b>Pass Thru - Wall Mount - Top Interlock, Stainless Steel - 18WTI-SST- <u>    </u> Wx <u>    </u> Hx <u>    </u> D</b>		
	QUOTE NO.		<b>DO NOT SCALE</b>		
	DATE DRAWN 01/13/2017	QUOTE FORM 076853	REV 1	SHEET 1 of 2	

## CAP18 Pass Thru - Optional Upgrade List

### CAP18WTI-SST

- Material Options:.....**
- Type 316L #2b Finish Stainless Steel
  - Electropolished Type 316L #2b finish Stainless Steel
  - Electropolished Type 304 #4 finish Stainless Steel
- Window Options:.....**
- Clear Wire Safety Glass
  - Clear Laminated Safety Glass
  - Clear PVC
  - Electrostatic Dissipative (ESD) Polycarbonate
  - Clear Polycarbonate
  - Clear Acrylic
  - Yellow Acrylic
  - Amber Acrylic
  - Ultra-Violet Light Filtering Acrylic
  - No Window (Solid Stainless Steel Door)
- Interlock Options:...**
- Mechanical Interlock, Stainless Steel T-Handle
  - Internal Mount Magnetic Interlock  
(Increase Height by 3, Requires a 120 Volt Power Supply)
- Mounting Options:...**
- 8 Piece Stainless Steel Mounting Frame
  - 8 Piece Stainless Steel Flush-Style Mounting Frame
  - 8 Piece Stainless Steel Sloped Top Mounting Frame
  - Stainless Steel Support Gussets
  - Stainless Steel Support Legs
- Shelf Options:.....**
- Solid Stainless Steel Adjustable Shelf
  - Perforated Stainless Steel Adjustable Shelf
  - Solid Stainless Steel Non-Adjustable Set-In Shelf
  - Perforated Stainless Steel Non-Adjustable Set-In Shelf
  - Stainless Steel Catch Tray
- Latch Options:.....**
- Key-Locking 316 Stainless Steel Lever Compression Door Latches
- Electrical Options:...**  
(Requires 120 Volt Power Supply)
- Duplex Receptacle with Stainless Steel Cover
  - UV Light without Timed Shut Off
  - UV Light with Timed Shut Off
  - Door Position Indicator Lights
- Design Options:.....**
- Both Doors are Right-Hand Swing
  - Both Doors are Left-Hand Swing
  - Low-Outgassing Design
  - Ventilation Couplings