

NOTES: UNLESS OTHERWISE SPECIFIED

1. DIMENSIONS ARE IN INCHES (mm).

Pass Thru Operation - One Hand:

Turn Interlock Handle (6) to

Operate Interlock

Pull Door Latch (4) to Open Door

Features:

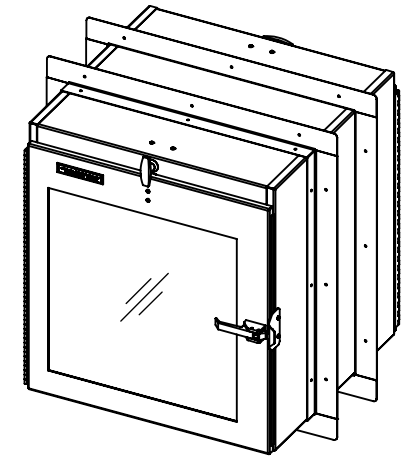
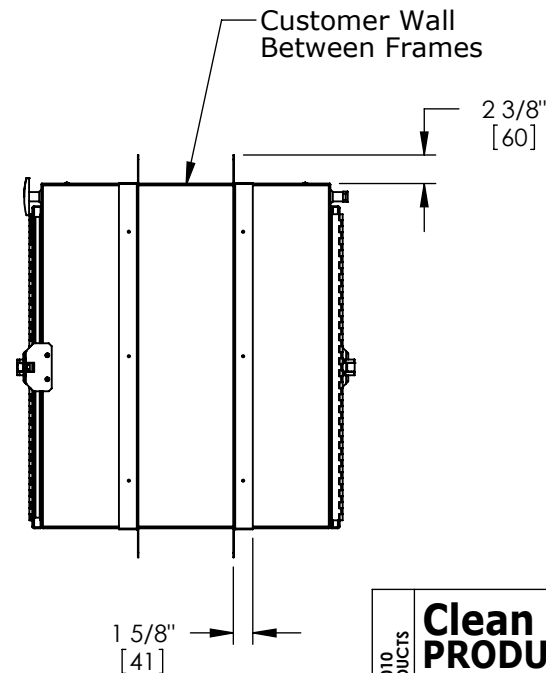
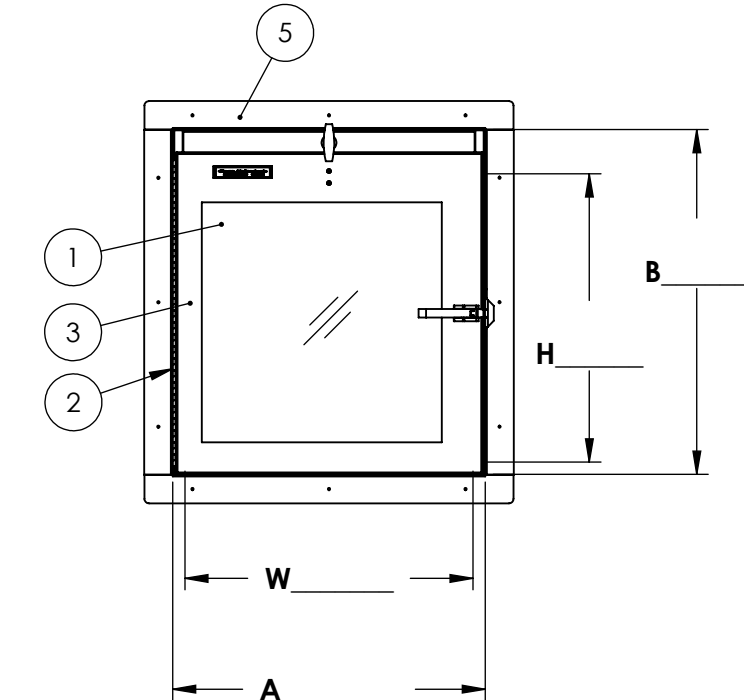
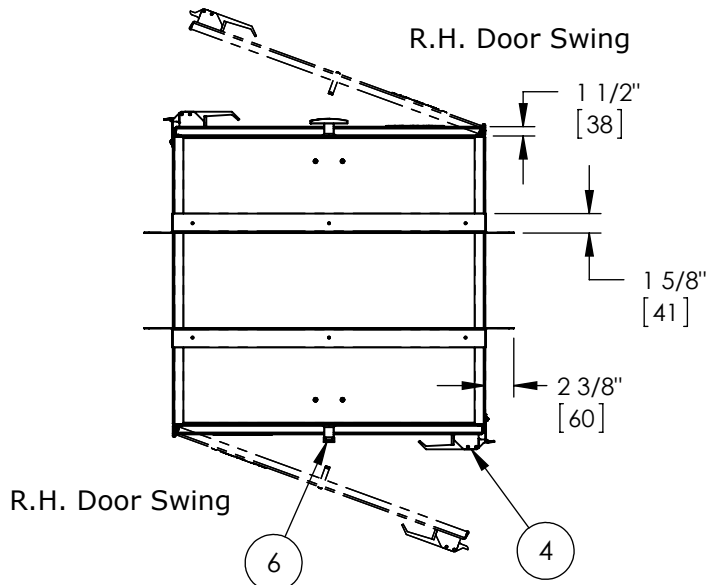
1. Clear Tempered Safety Glass
2. Stainless Steel Flush Mount Hinge
3. Stainless Steel Door Frame
4. Lever Compression Door Latch, Stainless Steel

Options Shown:

5. 8 Pc. Stainless Steel Mounting Frame
6. Interlock Handle, T, Non-Locking Stainless Steel

Notes:

1. Wall Cutout is $\frac{X}{([A] + \frac{1}{2}'' \times [B] + \frac{1}{2}'')$
2. Material: Stainless Steel, Type 304, #4 Finish
3. Electrical Requirements: None



W = Inside Width
H = Inside Height
D = Depth
A = W + 2"
B = H + 4 - 3/4"

Note:
 Interlocking and non-interlocking units have the same exterior dimensions unless noted

© COPYRIGHT 2010 CLEAN AIR PRODUCTS	Clean Air PRODUCTS		8605 WYOMING AVENUE NORTH • MINNEAPOLIS, MN 55445 800-423-9728 • ph: 763-425-9122 • fax: 763-425-2004 www.cleanairproducts.com		
	DESCRIPTION.		Pass Thru - Wall Mount - Top Interlock, Stainless Steel - 18WTI-SST- <u> </u> Wx <u> </u> Hx <u> </u> D		
	QUOTE NO.		DO NOT SCALE		
	DATE DRAWN 02/07/2011	QUOTE FORM 015892	REV 1	SHEET 1 of 2	

CAP18 Pass Thru - Optional Upgrade List

CAP18WTI-SST

- Material Options:.....**
- Type 316L #2b Finish Stainless Steel
 - Electropolished Type 316L #2b finish Stainless Steel
 - Electropolished Type 304 #4 finish Stainless Steel
- Window Options:.....**
- Clear Wire Safety Glass
 - Clear Laminated Safety Glass
 - Clear PVC
 - Electrostatic Dissipative (ESD) Polycarbonate
 - Clear Polycarbonate
 - Clear Acrylic
 - Yellow Acrylic
 - Amber Acrylic
 - Ultra-Violet Light Filtering Acrylic
 - No Window (Solid Stainless Steel Door)
- Interlock Options:...**
- Mechanical Interlock, Stainless Steel T-Handle
 - Internal Mount Magnetic Interlock
(Increase Height by 3, Requires a 120 Volt Power Supply)
- Mounting Options:...**
- 8 Piece Stainless Steel Mounting Frame
 - 8 Piece Stainless Steel Flush-Style Mounting Frame
 - 8 Piece Stainless Steel Sloped Top Mounting Frame
 - Stainless Steel Support Gussets
 - Stainless Steel Support Legs
- Shelf Options:.....**
- Solid Stainless Steel Adjustable Shelf
 - Perforated Stainless Steel Adjustable Shelf
 - Solid Stainless Steel Non-Adjustable Set-In Shelf
 - Perforated Stainless Steel Non-Adjustable Set-In Shelf
 - Stainless Steel Catch Tray
- Latch Options:.....**
- Key-Locking 316 Stainless Steel Lever Compression Door Latches
- Electrical Options:...**
(Requires 120 Volt Power Supply)
- Duplex Receptacle with Stainless Steel Cover
 - UV Light without Timed Shut Off
 - UV Light with Timed Shut Off
 - Door Position Indicator Lights
- Design Options:.....**
- Both Doors are Right-Hand Swing
 - Both Doors are Left-Hand Swing
 - Low-Outgassing Design
 - Ventilation Couplings