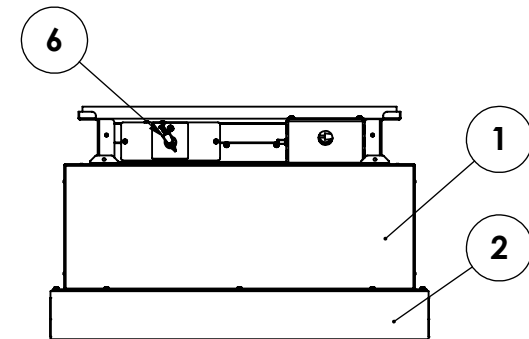
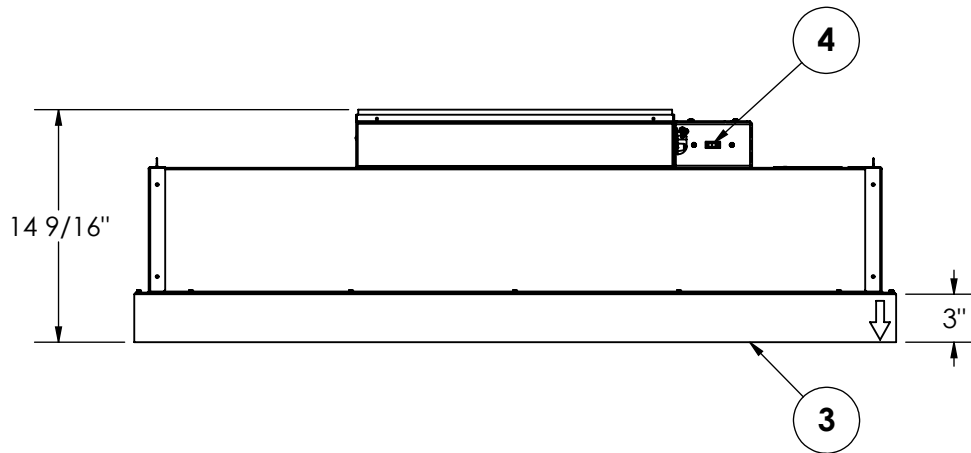
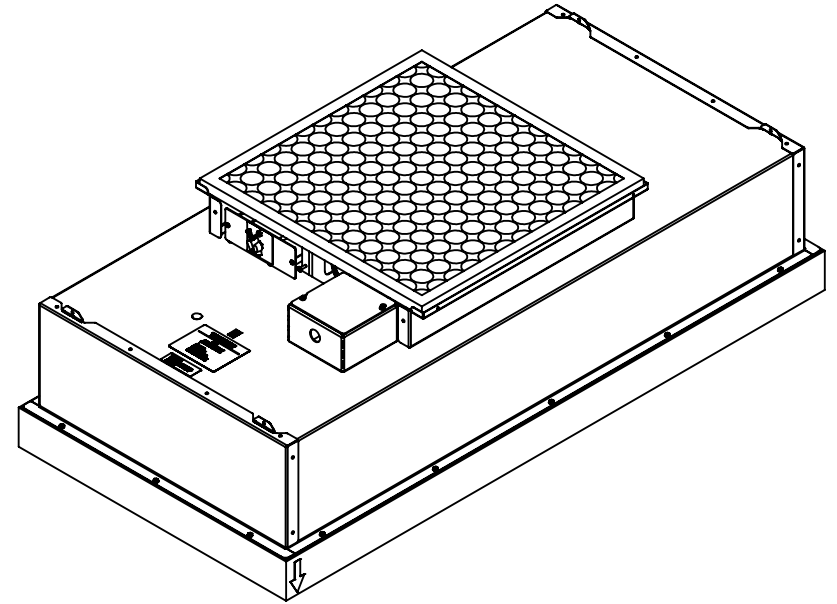
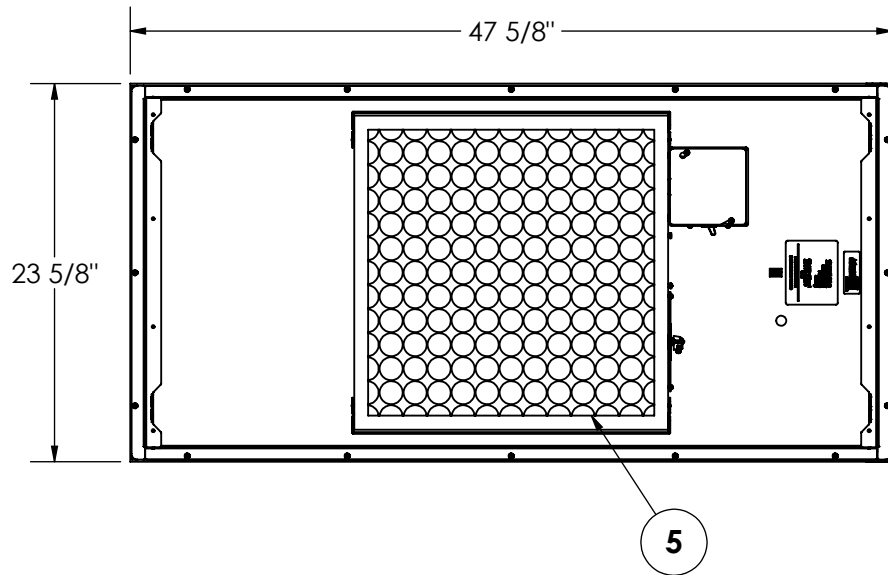


NOTES: UNLESS OTHERWISE SPECIFIED

1. DIMENSIONS ARE IN INCHES (mm).



Features:

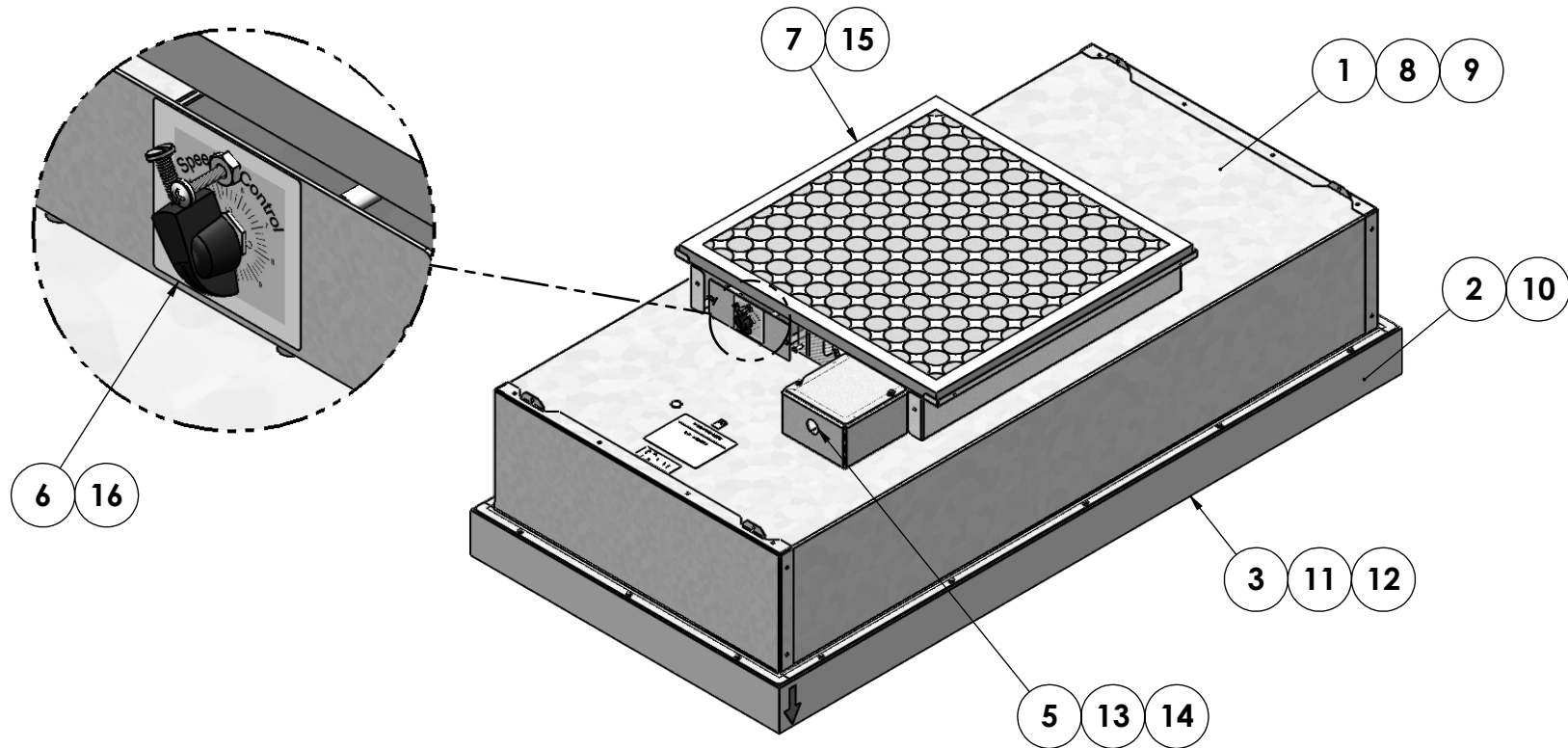
1. Galvanized Metal Plenum Construction
2. HEPA Filter
3. Protective Filter Face Guard
4. On/Off Switch
5. Prefilter
6. Variable Speed Control

Total Weight: 67 lbs (30 kg)
Noise level @ 90FPM: 56.6 dB

© COPYRIGHT 2010 CLEAN AIR PRODUCTS	Clean Air PRODUCTS	8605 WYOMING AVENUE NORTH • MINNEAPOLIS, MN 55445 800-423-9728 • ph: 763-425-9122 • fax: 763-425-2004 www.cleanairproducts.com			
	DESCRIPTION.	Motorized Filter Unit CAP119-424-H			
	QUOTE NO.				
	DO NOT SCALE	DATE DRAWN 06/15/2021	QUOTE FORM 118352	REV 1	SHEET 1 of 2

NOTES: UNLESS OTHERWISE SPECIFIED

1. DIMENSIONS ARE IN INCHES (mm).



Standard Features:

- 1. Galvanized Steel Plenum Construction
- 2. HEPA Filter (99.99% on 0.3 micron)
- 3. Protective Filter Face Guard (epoxy painted, expanded steel screen on downstream filter face)
- 4. 120V, 60Hz, 1.9A
- 5. Pigtail wires for field wiring
- 6. Adjustable Speed Control (10 turn potentiometer set between 5.5 and 6.5 rotations to achieve 90fpm)
- 7. Fiberglass Prefilter

Options:

- 8. White Powder Coated Plenum
- 9. Stainless Steel Plenum (304, #4 finish)
- 10. ULPA Filter (99.999% on 0.12 micron)
- 11. Stainless Steel Filter Face Guard
- 12. HEPA Filter w/70mm Pleat Depth (reduces sound level to XX dB @90FPM)
- 13. Prefabricated Wiring
- 14. Power Cord
- 15. Pleated Prefilter
- 16. Network Speed Control

© COPYRIGHT 2010 CLEAN AIR PRODUCTS	Clean Air PRODUCTS	8605 WYOMING AVENUE NORTH • MINNEAPOLIS, MN 55445 800-423-9728 • ph: 763-425-9122 • fax: 763-425-2004 www.cleanairproducts.com			
	DESCRIPTION.	Motorized Filter Unit CAP119-424-H			
	QUOTE NO.				
	DO NOT SCALE	DATE DRAWN 06/15/2021	QUOTE FORM 118352	REV 1	SHEET 2 of 2