

Pass-thru cabinets from Clean Air Products feature rugged, durable, stainless steel construction, are easy to clean and maintain in sterile environments, and comply with USP 800 cleaning requirements.

Cabinet

- Type 304, #4 Finish Stainless Steel
- Unique Double Wall Construction
- Removable Inner Liners
- No Interior Floor
- Stainless Steel Pan Head Hardware

Doors

- Stainless Steel, Flush Mount Continuous Hinges
- Urethane Gasket
- PVC Floor Sweeps
- Over Center Compression Latches
- Clear Tempered Safety Glass Windows

Mechanical Interlock

- Optional but Highly Recommended
- Enclosed Within Pass Thru Wall
- Removable Interior Maintenance Panel
- 90 Degree Stainless Steel T-Handles

Recommended Applications / Industries

- Pharmacies
- Semiconductor Manufacturing

Learn More

For more information on CAP18 pass thru cabinets, including CAD drawings, RFQs, purchase specifications, exploded views and options, visit:
www.cleanairproducts.com/product-category/pass-thrus

CAP18F

**STANDARD FLOOR MOUNTED
PASS THRU DATA SHEET**



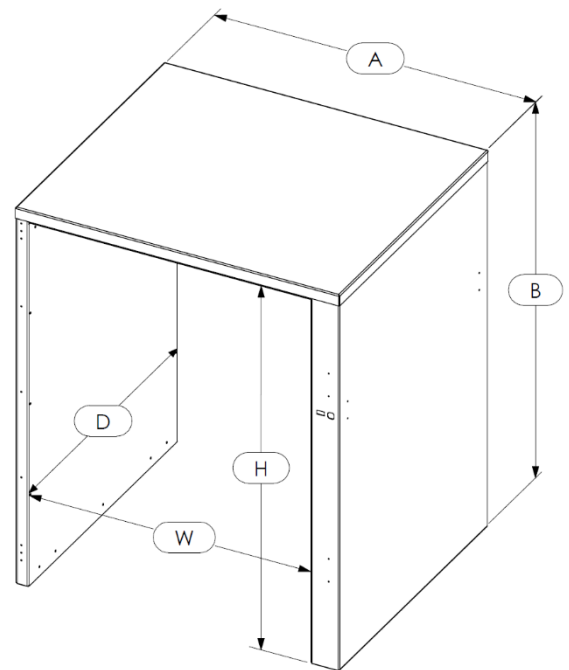
Stainless Steel pass thru cabinets by Clean Air Products are the ideal way to efficiently transfer supplies and specimens into or out of a cleanroom. Pass thru cabinets eliminate unnecessary foot traffic, significantly reducing contamination. Plus, with the incorporation of our interlocking doors, pass thrus will increase the operating efficiency of the room. Clean Air Products pass thrus are designed to meet the most stringent requirements for cleanroom entry systems.

The CAP18F floor mounted pass thru cabinet is ideal for manufacturing and laboratory processes requiring easy cleaning. Unique double wall construction, which encases and protects the optional mechanical interlock further facilitates cleaning. There is no floor, making it easy to roll carts, or pallet jacks into. The interior features removable liners which are easy to clean or remove for maintenance. Stainless steel double lined doors feature a urethane gasket and PVC floor sweep. Durable 16 gauge stainless steel construction ensures years of operation.

OPTIONS

- Custom sizes
- Mechanical interlock with Type 316 stainless steel T-handles
- Magnetic interlock
- Locking over-center compression latches
- Adjustable shelves
- Stainless steel floor
- Type 316L, #2B finish stainless steel construction
- Electropolishing
- Same door swing on both sides
- Door open visual alarm
- UV light
- Universal stainless steel mounting frame set, may also include:
 - Sloped top frame pieces
 - Custom size 1.5" x 1.5" frames
- Alternative window materials:
 - Clear or yellow acrylic
 - Polycarbonate
 - Electrostatic dissipative polycarbonate
 - Clear or amber PVC
 - Electrostatic dissipative PVC
 - UV filtering film over clear tempered safety glass
 - No Window (Solid Stainless Steel Door)

Additional options are available, contact us to discuss your specific requirements.



SIZES

MODEL	INSIDE DIMENSIONS (in.)			OUTSIDE DIMENSIONS (in.)	
	Width W	Height H	Depth D	Width A	Height B
CAP18F-SST-30WX30HX30D	30	30	30	35.375	31.625
CAP18F-SST-30WX36HX30D	30	36	30	35.375	37.625
CAP18F-SST-36WX42HX36D	36	42	36	41.375	43.625
CAP18F-SST-36WX48HX36D	36	48	36	41.375	49.625

Additional Sizes: Pass thrus can be ordered in a variety of sizes and configurations, contact us for details.
 Sizes are based on inside dimensions, recommended wall cutout is $(A + \frac{1}{2}'') \times (B + \frac{1}{2}'')$