

*Pass-thru cabinets from Clean Air Products feature rugged, durable, stainless steel construction, are easy to clean and maintain in sterile environments, and comply with USP 800 cleaning requirements.*

## Cabinet

- Type 304, #4 Finish Stainless Steel
- Unique Double Wall Construction
- Removable Inner Liners
- Smooth Formed Radius Corners
- Lipless Interior Floor
- Stainless Steel Pan Head Hardware
- HEPA filter unit
- Electrical Requirements:  
120V, 60Hz, 0.3-1.2A

## Doors

- Stainless Steel, Flush Mount Continuous Hinges
- Silicone Bulb Gasket
- Over Center Compression Latches
- Clear Tempered Safety Glass Windows

## Mechanical Interlock

- Optional but Highly Recommended
- Enclosed Within Pass Thru Wall
- Removable Interior Maintenance Panel
- 90 Degree Stainless Steel T-Handles

## Recommended Applications / Industries

- Pharmacies
- Semiconductor Manufacturing

## Learn More

For more information on CAP18 pass thru cabinets, including CAD drawings, RFQs, purchase specifications, exploded views and options, visit: [www.cleanairproducts.com/product-category/pass-thrus](http://www.cleanairproducts.com/product-category/pass-thrus)

# CAP18WHF

**WALL MOUNTED  
HEPA FILTERED PASS THRU  
DATA SHEET**



Stainless Steel pass thru cabinets by Clean Air Products are the ideal way to efficiently transfer supplies and specimens into or out of a cleanroom. Pass thru cabinets eliminate unnecessary foot traffic, significantly reducing contamination. Plus, with the incorporation of our interlocking doors, pass thrus will increase the operating efficiency of the room. Clean Air Products pass thrus are designed to meet the most stringent requirements for cleanroom entry systems.

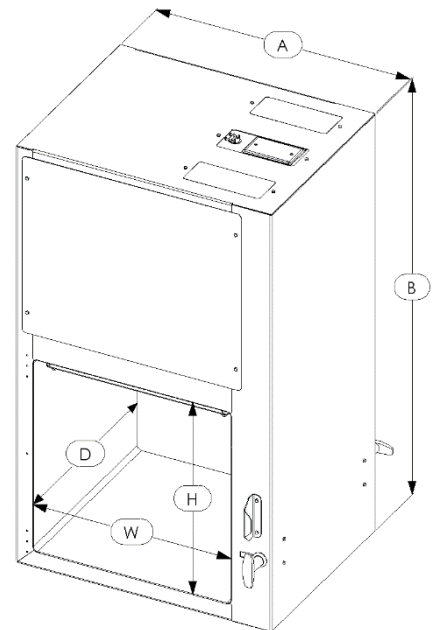
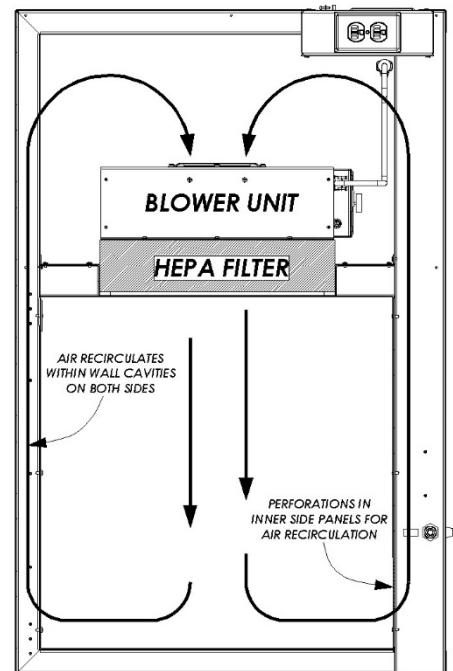
The CAP18WHF wall mounted, HEPA filtered pass thru cabinet is ideal for manufacturing and laboratory processes requiring easy cleaning. Unique double wall construction, which encases and protects the optional mechanical interlock further facilitates cleaning. The cabinet floor is completely flush; there is no "lip" to clean around and there are few internal seams. The interior features removable liners which are easy to clean or remove for maintenance. Stainless steel doors feature a silicone bulb gasket which eliminates crevices that could harbor contamination. Every surface of the door can be thoroughly cleaned. The integrated HEPA filter unit continuously recirculates filtered air through perforations on the inner side liners. Durable 16 gauge stainless steel construction ensures years of operation.

## OPTIONS

- Custom sizes
- Mechanical interlock with Type 316 stainless steel T-handles
- Magnetic interlock
- Locking over-center compression latches
- Set-in tray
- Adjustable perforated shelves
- Type 316L, #2B finish stainless steel construction
- Electropolishing
- Same door swing on both sides
- Door open visual alarm
- ULPA filter unit
- Minihelic differential pressure gauge for filter
- Electrical connection near one side for flush mounting
- Universal stainless steel mounting frame set, may also include:
  - Sloped top frame pieces
  - Support gussets
  - Support legs
  - Custom size 1.5" x 1.5" frames
- Alternative window materials:
  - Clear or yellow acrylic
  - Polycarbonate
  - Electrostatic dissipative polycarbonate
  - Clear or amber PVC
  - Electrostatic dissipative PVC
  - UV filtering film over clear tempered safety glass
  - No Window (Solid Stainless Steel Door)

Additional options are available, contact us to discuss your specific requirements.

CAP18WHF AIR FLOW DIAGRAM



## SIZES

MODEL	INSIDE DIMENSIONS (in.)			OUTSIDE DIMENSIONS (in.)	
	Width W	Height H	Depth D	Width A	Height B
CAP18WHF-SST-12WX12HX12D	12	12	12	17.3125	33.25
CAP18WHF-SST-18WX18HX18D	18	18	18	23.3125	39.25
CAP18WHF-SST-24WX24HX24D	24	24	24	29.3125	45.25
CAP18WHF-SST-30WX30HX30D	30	30	30	35.3125	51.25
CAP18WHF-SST-36WX36HX36D	36	36	36	41.3125	57.25

Additional Sizes: Pass thrus can be ordered in a variety of sizes and configurations, contact us for details.  
 Sizes are based on inside dimensions, recommended wall cutout is  $(A + \frac{1}{2}) \times (B + \frac{1}{2})$