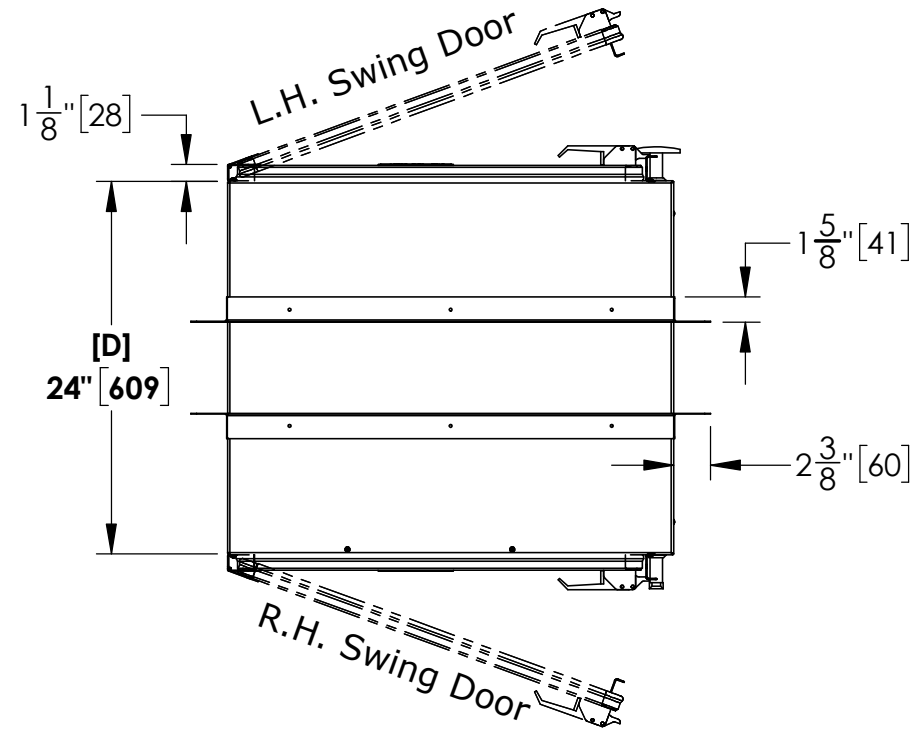


NOTES: UNLESS OTHERWISE SPECIFIED

1. DIMENSIONS ARE IN INCHES (mm).



**Features:**

1. Clear Tempered Safety Glass
2. Stainless Steel Flush Mount Hinge
3. Stainless Steel Door Frame
4. Over Center Compression Latch, Stainless Steel

**Options Shown:**

5. Mechanical Interlock, Non-Locking, Stainless Steel T-Handles
6. 8 Pc. Universal Stainless Steel Mounting Frame Set

**Notes:**

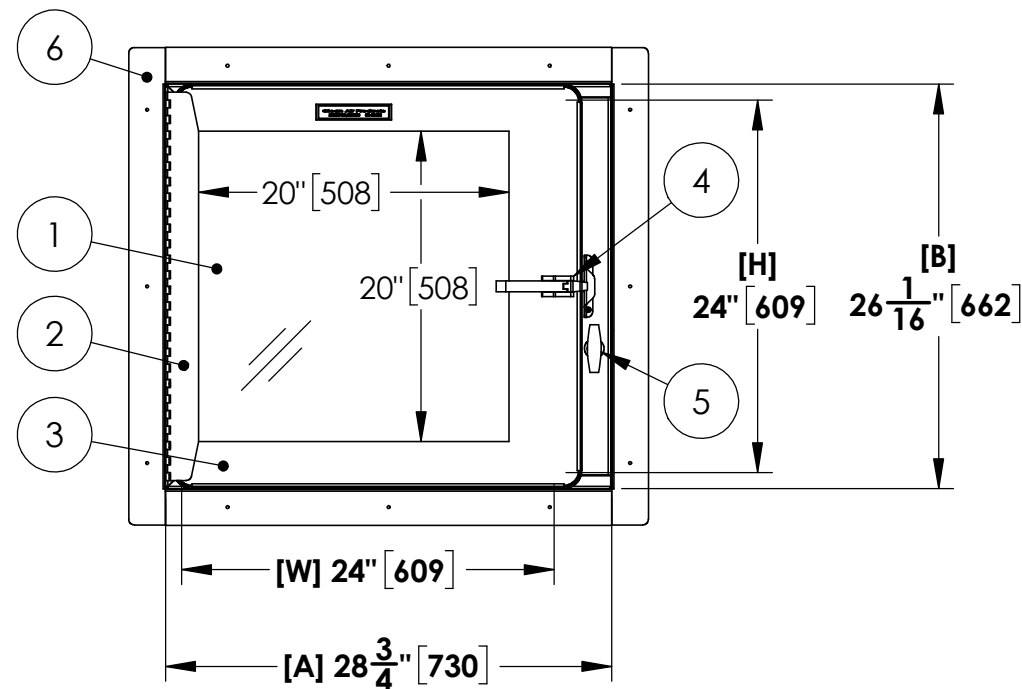
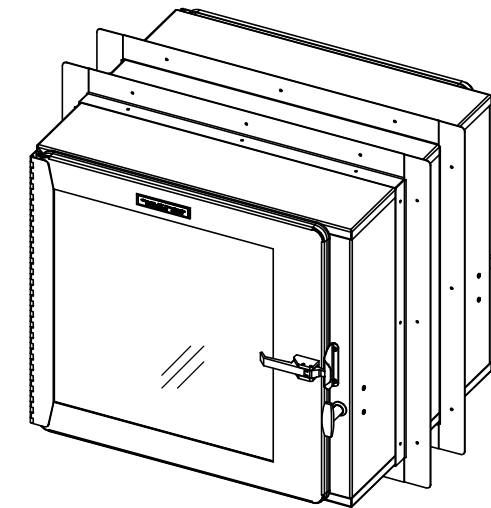
- Cabinet Material: Stainless Steel, Type 304, #4 Finish
- Electrical Requirements: None
- Interlocking and Non-interlocking Units Have The Same Exterior Dimensions Unless Noted.
- Wall Cutout is  **$29\text{-}1\frac{1}{4}" \times 26\text{-}9\frac{16}"$**   
( $[A] + 1\frac{1}{2}" \times [B] + 1\frac{1}{2}"$ )

**Pass Thru Interlock Operation (One Hand):**

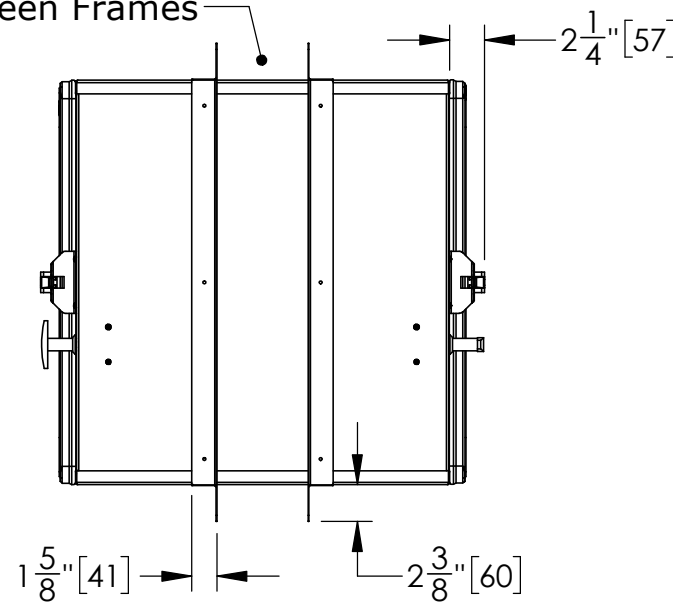
Turn The Interlock Handle ⑤ 90° To Unlock The Side, Then Pull The Door Latch ④ To Open The Door.  
(Only one side can be unlocked at a time)

**Pass Thru Dimensions:**

**W = Inside Width**  
**H = Inside Height**  
**D = Inside Depth**  
**A = W + 4 3/4"**  
**B = H + 2 1/16"**



**Customer Wall Between Frames**



© COPYRIGHT 2019 CLEAN AIR PRODUCTS	<b>Clean Air PRODUCTS</b>		8605 WYOMING AVENUE NORTH • MINNEAPOLIS, MN 55445 800-423-9728 • ph: 763-425-9122 • fax:763-425-2004 www.cleanairproducts.com		
	DESCRIPTION.		<b>Pass Thru - Wall Mount, Stainless Steel</b> <b>CAP18W-SST-24Wx24Hx24D</b>		
	QUOTE NO.				
	<b>DO NOT SCALE</b>	DATE DRAWN 2/27/2020	QUOTE FORM 107564	REV 1	SHEET 1 of 1