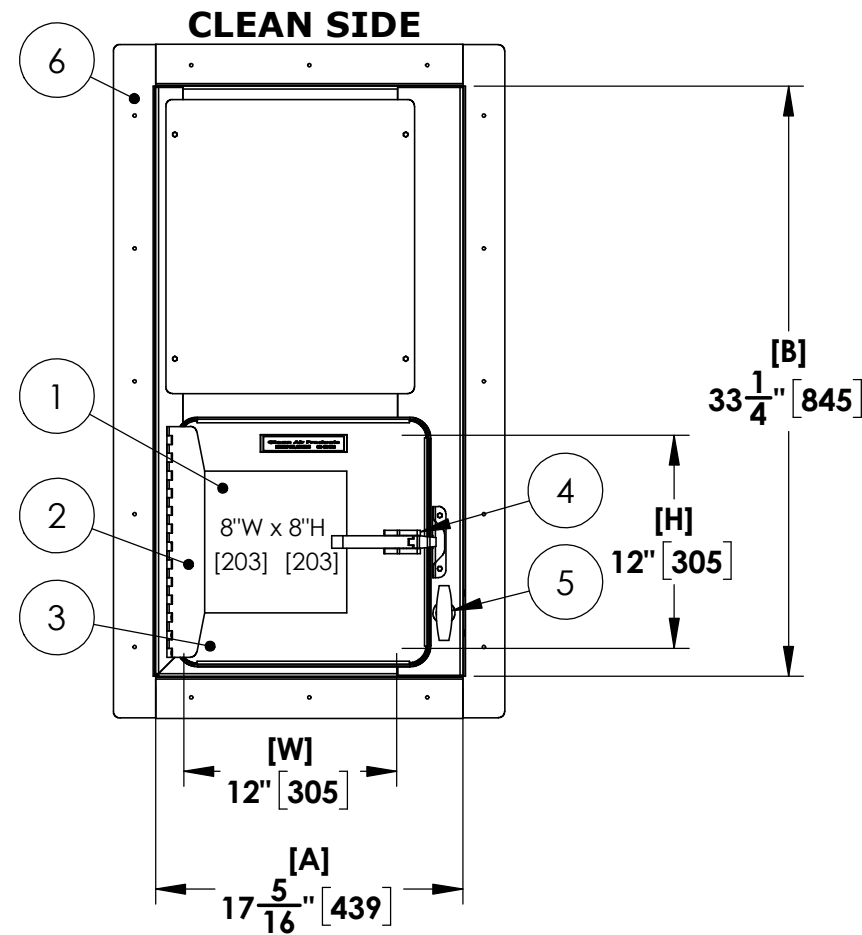
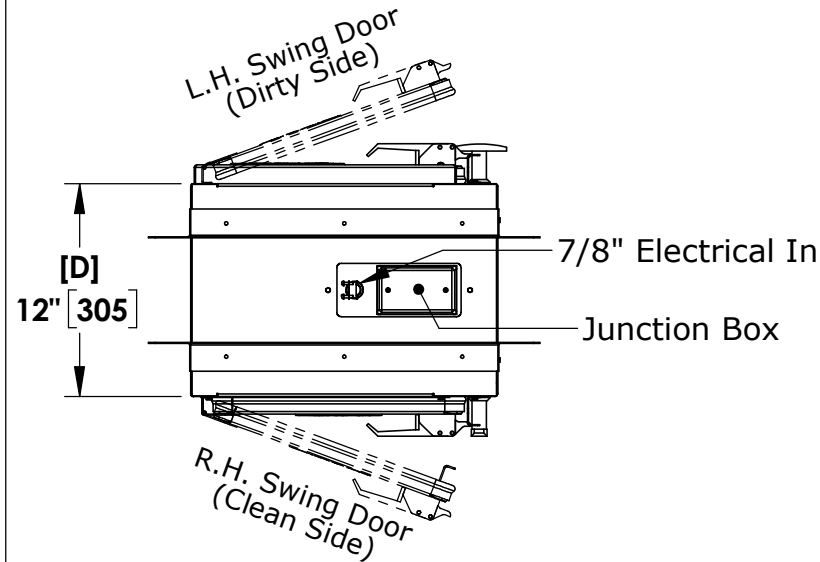


NOTES: UNLESS OTHERWISE SPECIFIED

1. DIMENSIONS ARE IN INCHES (mm).



Features:

1. Clear Tempered Safety Glass
2. Stainless Steel Flush Mount Hinge
3. Stainless Steel Door Frame
4. Over Center Compression Latch, Stainless Steel

Options Shown:

5. Mechanical Interlock, Non-Locking, Stainless Steel T-Handles
6. 8 Pc. Universal Stainless Steel Mounting Frame Set

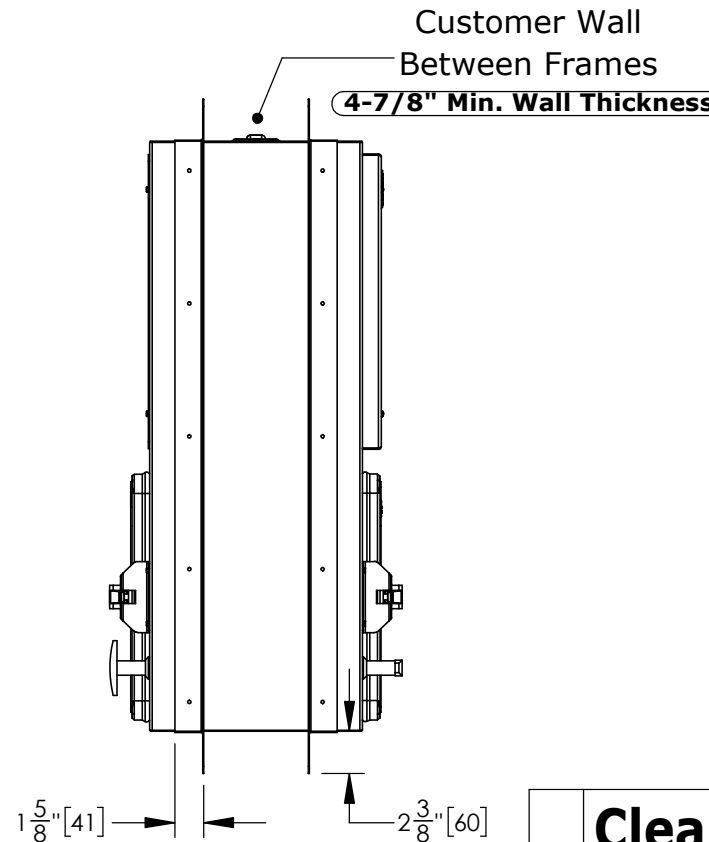
Notes:

- Cabinet Material: Stainless Steel, Type 304, #4 Finish
- Electrical Requirements: 120V, 60Hz, 0.3A
- Interlocking and Non-interlocking Units Have The Same Exterior Dimensions Unless Noted.
- Wall Cutout is **17-13/16" x 33-3/4"**
([A] + 1/2" x [B] + 1/2")
- Minimum Wall Thickness is 4-7/8"
- Usable Interior Height = [H] - 1-3/8" (Due To Filter Guard)

Pass Thru Interlock Operation (One Hand):

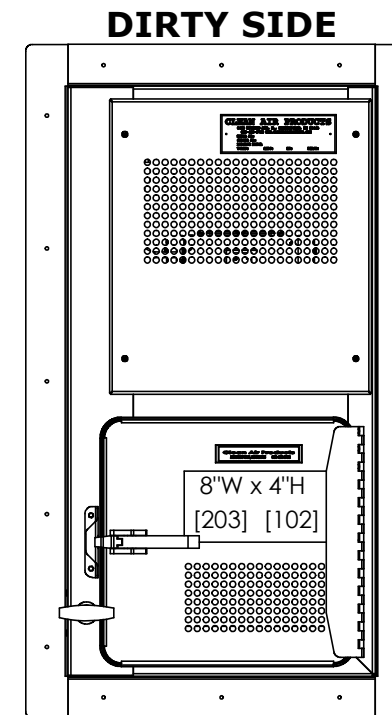
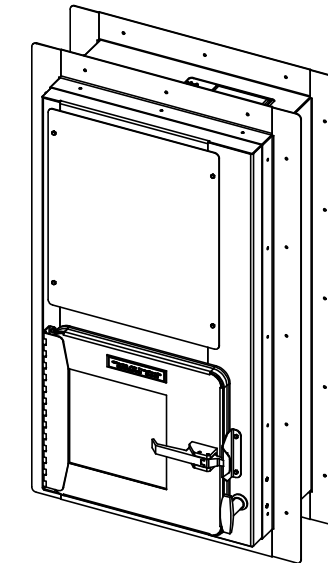
Turn The Interlock Handle ⑤ 90° To Unlock The Side, Then Pull The Door Latch ④ To Open The Door.
(Only one side can be unlocked at a time)

Specify Dirty Side Door Swing When Placing Order

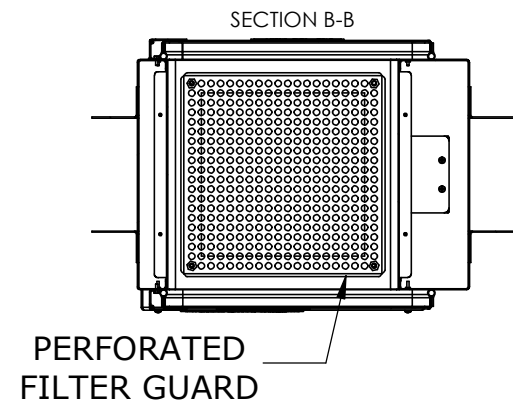


Pass Thru Dimensions:

W = Inside Width
H = Inside Height
D = Inside Depth
A = W + 5 5/16"
B = H + 21 1/4"

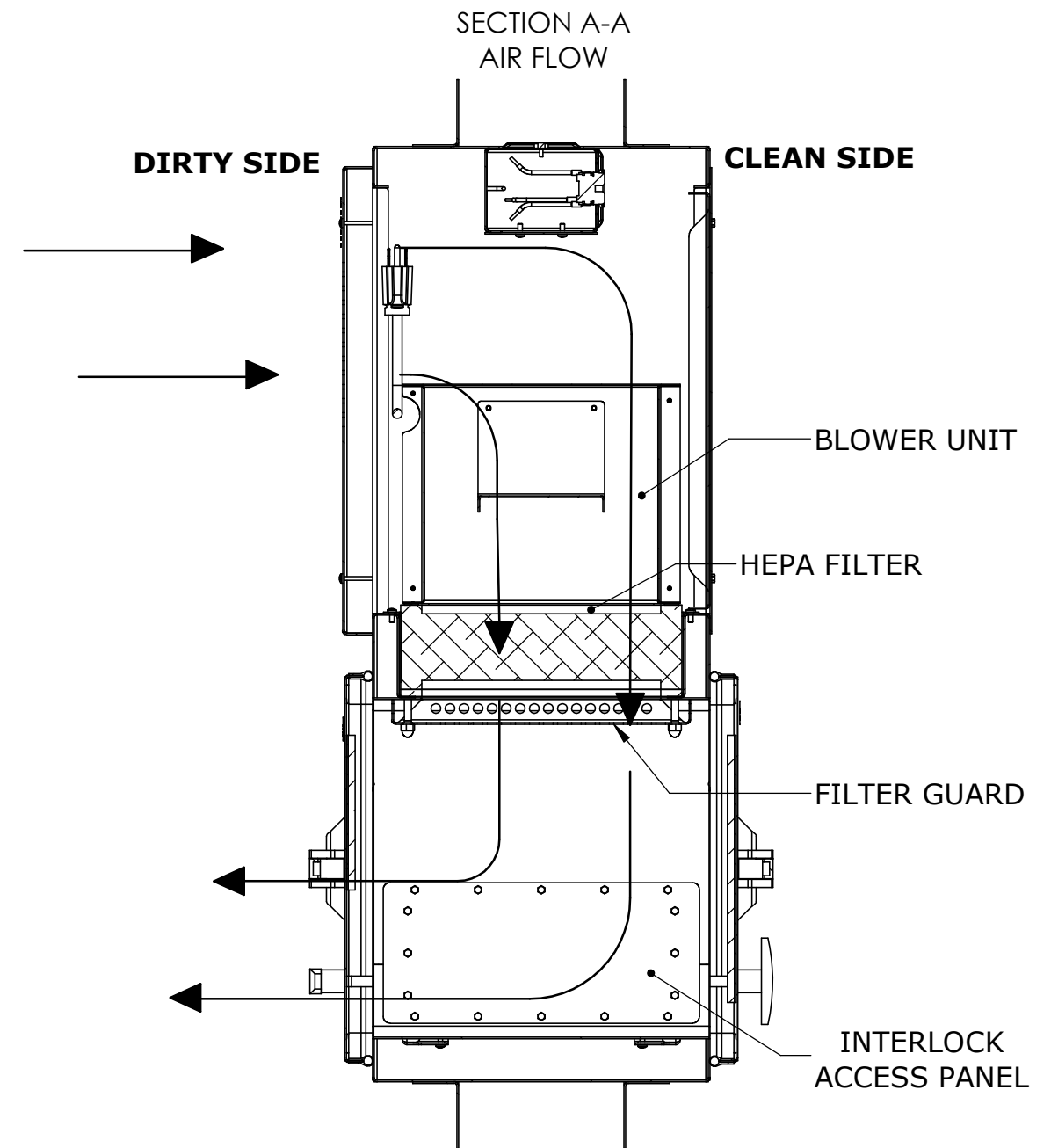
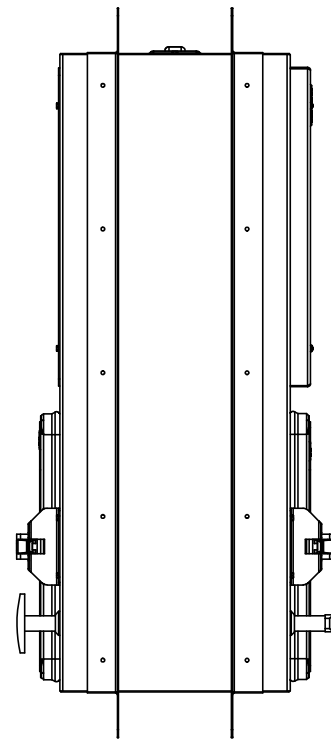
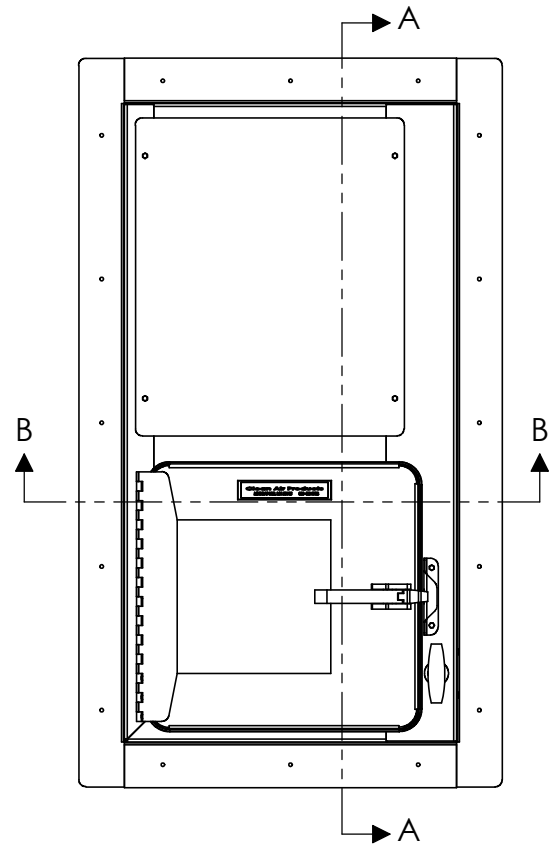
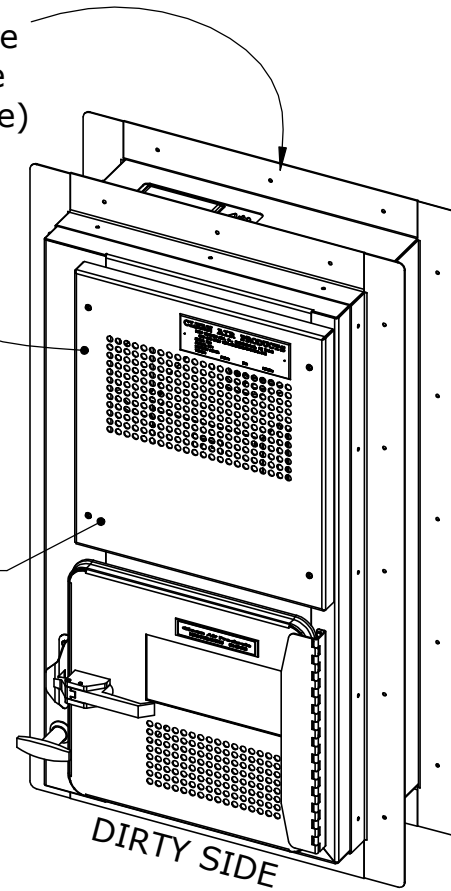


© COPYRIGHT 2010 CLEAN AIR PRODUCTS	Clean Air PRODUCTS 8605 WYOMING AVENUE NORTH • MINNEAPOLIS, MN 55445 800-423-9728 • ph: 763-425-9122 • fax:763-425-2004 www.cleanairproducts.com				
	DESCRIPTION. Pass Thru - Wall Mount, HEPA Filter, Stainless Steel -18WFBHF-SST-12Wx12Hx12D				
	QUOTE NO.				
	DO NOT SCALE	DATE DRAWN 02/25/2020	QUOTE FORM 107517	REV 1	SHEET 1 of 2



Filter Covers Are Interchangeable (Clean/Dirty Side)

Filter Cover Access Panel



© COPYRIGHT 2010 CLEAN AIR PRODUCTS	Clean Air PRODUCTS		8605 WYOMING AVENUE NORTH • MINNEAPOLIS, MN 55445		
			800-423-9728 • ph: 763-425-9122 • fax: 763-425-2004		
			www.cleanairproducts.com		
	DESCRIPTION: Pass Thru - Wall Mount, HEPA Filter, Stainless Steel - 18WFBHF-SST-12Wx12Hx12D				
QUOTE NO.					
DO NOT SCALE		DATE DRAWN 02/25/2020	QUOTE FORM 107517	REV 1	SHEET 2 of 2