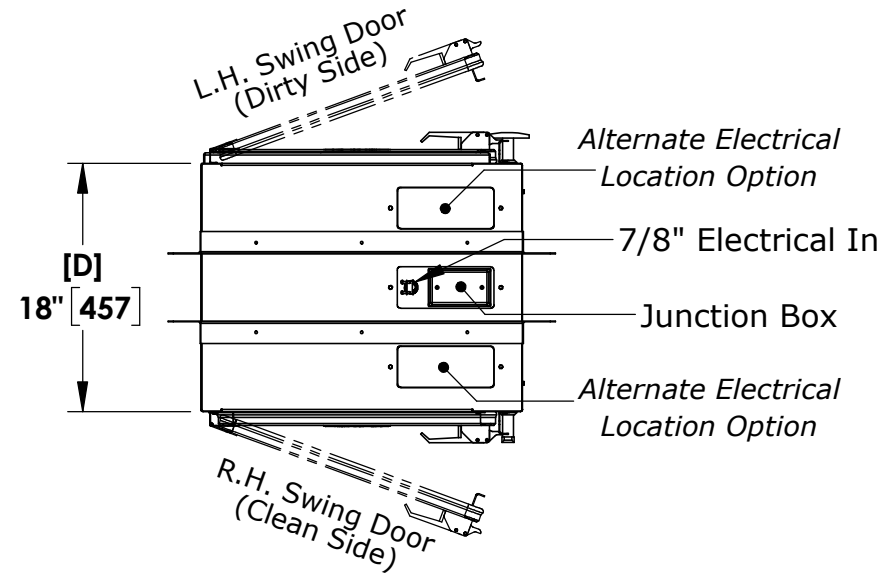


NOTES: UNLESS OTHERWISE SPECIFIED

1. DIMENSIONS ARE IN INCHES (mm).



**Features:**

1. Clear Tempered Safety Glass
2. Stainless Steel Flush Mount Hinge
3. Stainless Steel Door Frame
4. Over Center Compression Latch, Stainless Steel

**Options Shown:**

5. Mechanical Interlock, Non-Locking, Stainless Steel T-Handles
6. 8 Pc. Universal Stainless Steel Mounting Frame Set

**Notes:**

- Cabinet Material: Stainless Steel, Type 304, #4 Finish
- Electrical Requirements: 120V, 60Hz, 0.7A
- Interlocking and Non-interlocking Units Have The Same Exterior Dimensions Unless Noted.
- Wall Cutout is **23-13/16" x 39-3/4"**  
([A] + 1/2" x [B] + 1/2")
- Minimum Wall Thickness is 4-7/8"
- Usable Interior Height = [H] - 1-3/8" (Due To Filter Guard)

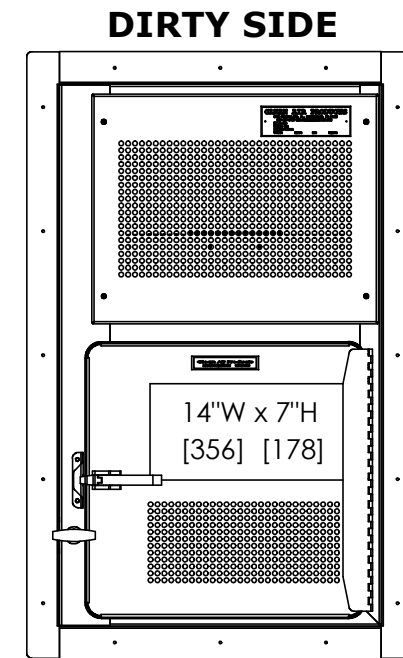
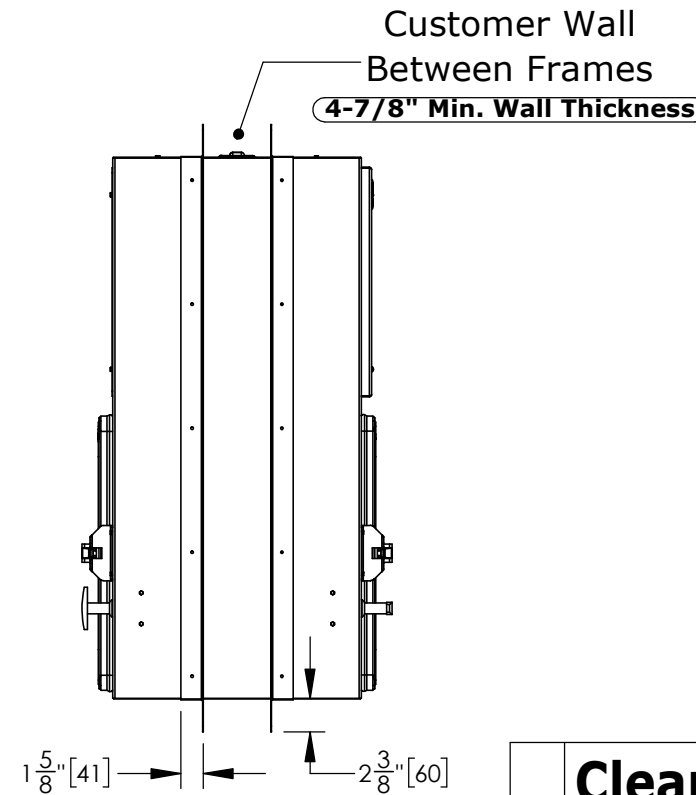
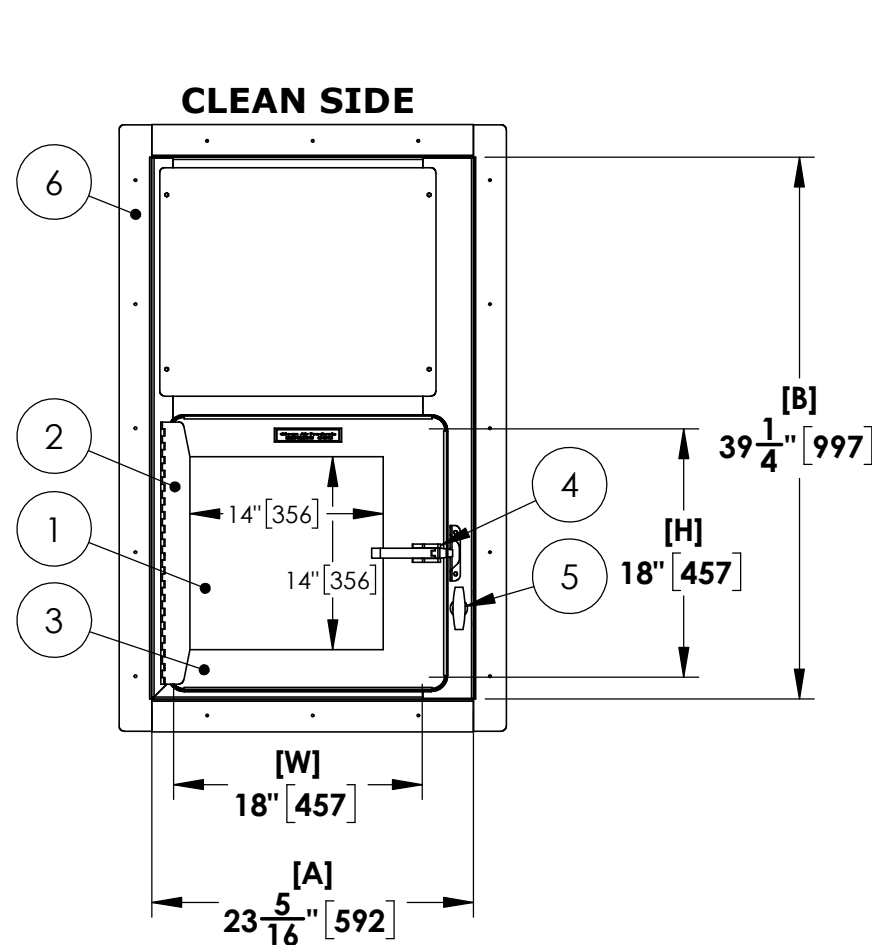
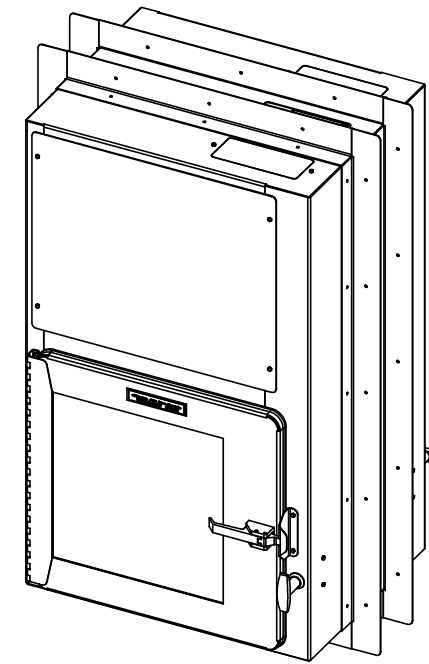
**Pass Thru Interlock Operation (One Hand):**

Turn The Interlock Handle ⑤ 90° To Unlock The Side, Then Pull The Door Latch ④ To Open The Door.  
(Only one side can be unlocked at a time)

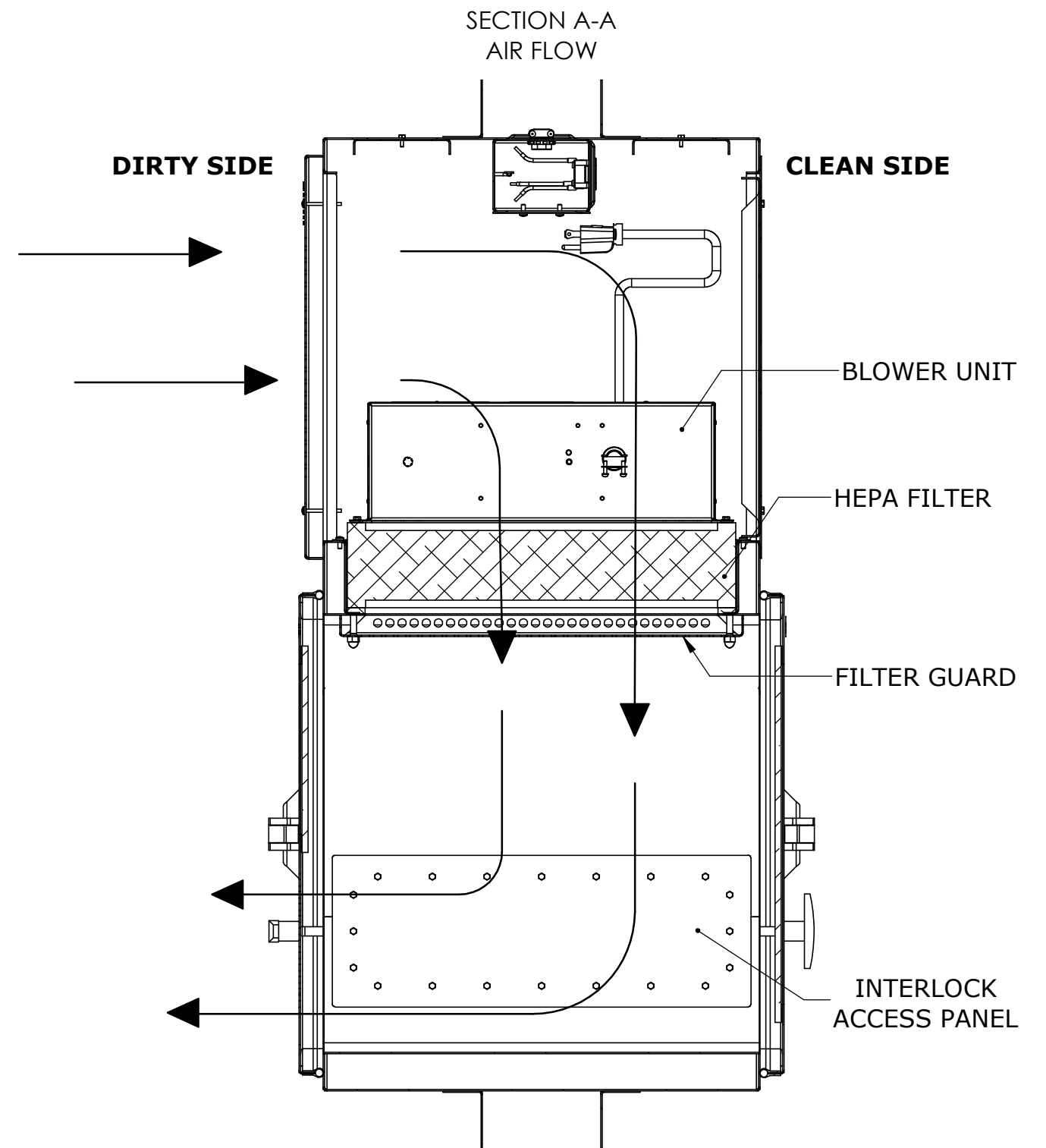
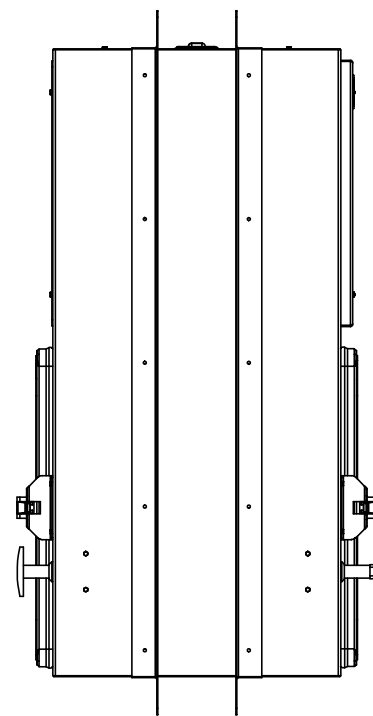
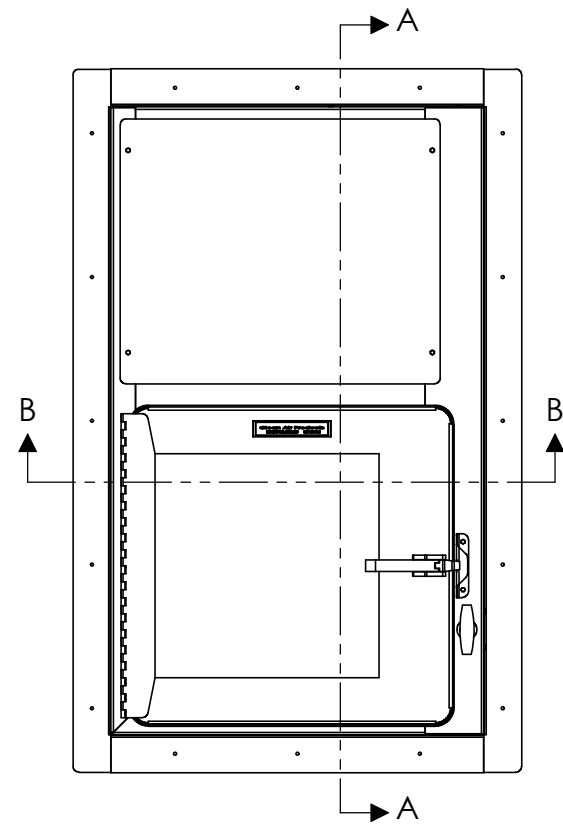
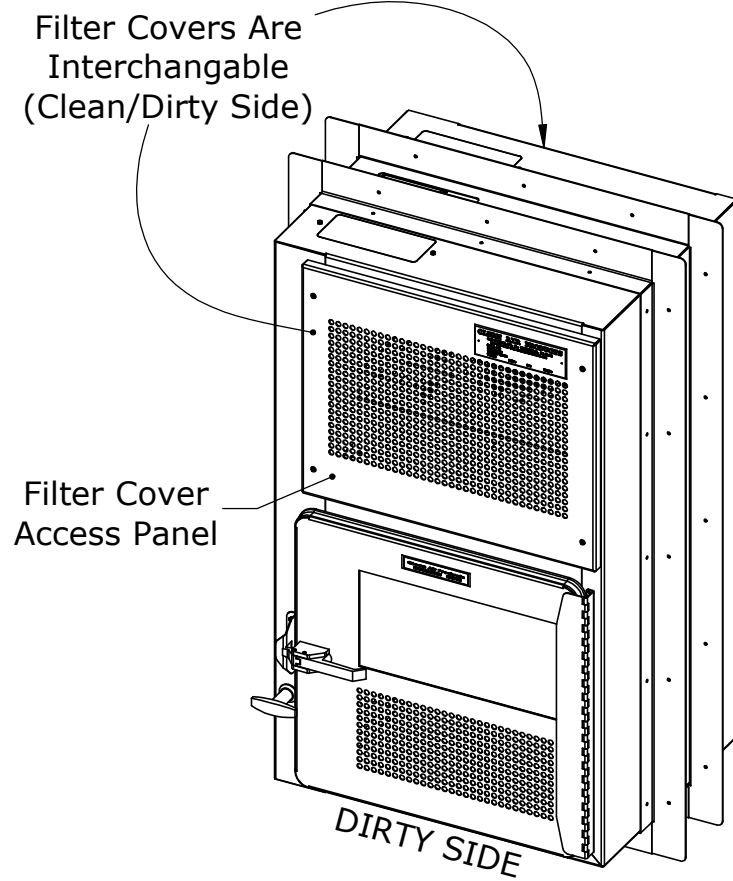
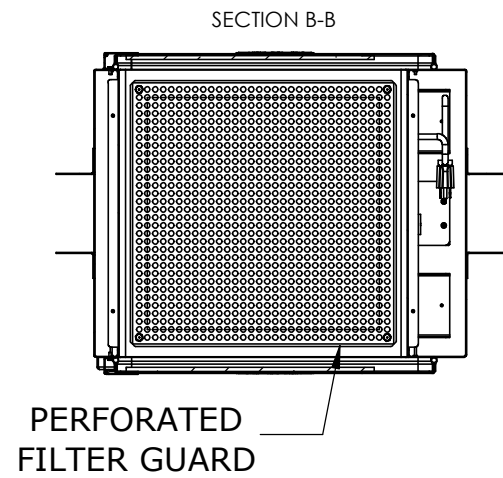
**Specify Dirty Side Door Swing When Placing Order**

**Pass Thru Dimensions:**

**W = Inside Width**  
**H = Inside Height**  
**D = Inside Depth**  
**A = W + 5 5/16"**  
**B = H + 21 1/4"**



© COPYRIGHT 2010 CLEAN AIR PRODUCTS	<b>Clean Air PRODUCTS</b> 8605 WYOMING AVENUE NORTH • MINNEAPOLIS, MN 55445 800-423-9728 • ph: 763-425-9122 • fax:763-425-2004 www.cleanairproducts.com				
	DESCRIPTION. <b>Pass Thru - Wall Mount, HEPA Filter, Stainless Steel -18WFBHF-SST-18Wx18Hx18D</b>				
	QUOTE NO.				
	<b>DO NOT SCALE</b>	DATE DRAWN 02/25/2020	QUOTE FORM 107516	REV 1	SHEET 1 of 2



**Clean Air PRODUCTS** 8605 WYOMING AVENUE NORTH • MINNEAPOLIS, MN 55445  
 800-423-9728 • ph: 763-425-9122 • fax: 763-425-2004  
 www.cleanairproducts.com

DESCRIPTION: **Pass Thru - Wall Mount, HEPA Filter, Stainless Steel -18WFBHF-SST-18Wx18Hx18D**

QUOTE NO.

<b>DO NOT SCALE</b>	DATE DRAWN 02/25/2020	QUOTE FORM 107516	REV 1	SHEET 2 of 2
---------------------	--------------------------	----------------------	----------	-----------------

© COPYRIGHT 2010 CLEAN AIR PRODUCTS