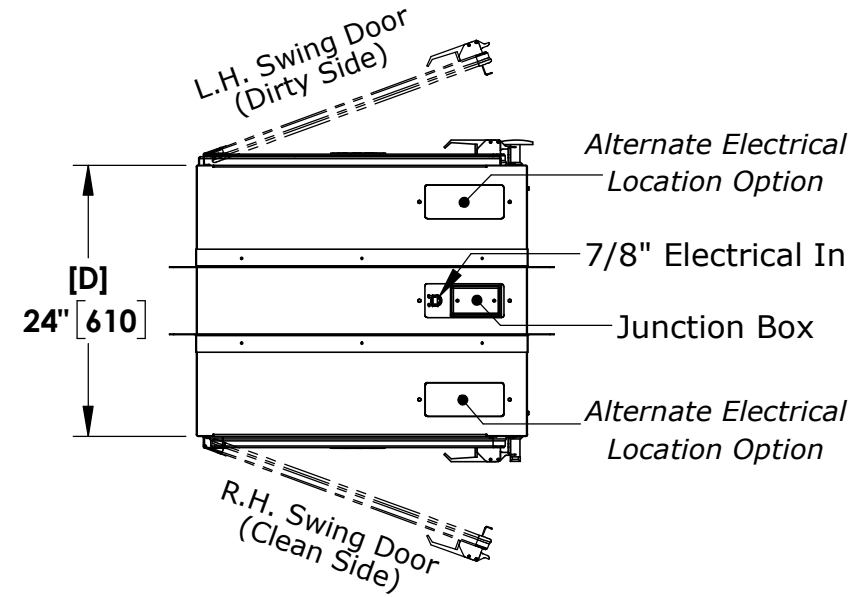


NOTES: UNLESS OTHERWISE SPECIFIED

1. DIMENSIONS ARE IN INCHES (mm).



Features:

1. Clear Tempered Safety Glass
2. Stainless Steel Flush Mount Hinge
3. Stainless Steel Door Frame
4. Over Center Compression Latch, Stainless Steel

Options Shown:

5. Mechanical Interlock, Non-Locking, Stainless Steel T-Handles
6. 8 Pc. Universal Stainless Steel Mounting Frame Set

Notes:

- Cabinet Material: Stainless Steel, Type 304, #4 Finish
- Electrical Requirements: 120V, 60Hz, 0.7A
- Interlocking and Non-interlocking Units Have The Same Exterior Dimensions Unless Noted.
- Wall Cutout is $29-13/16'' \times 45-3/4''$
($[A] + 1/2'' \times [B] + 1/2''$)
- Minimum Wall Thickness is $4-7/8''$
- Usable Interior Height = $[H] - 1-3/8''$ (Due To Filter Guard)

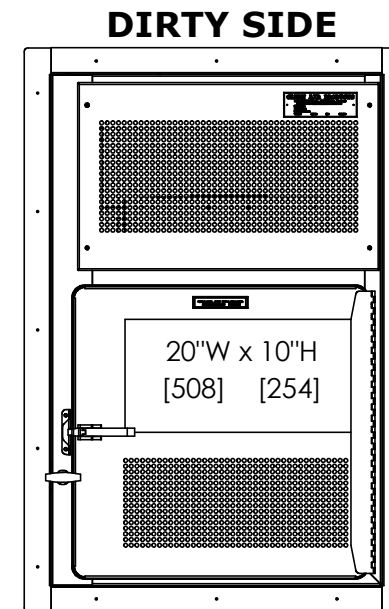
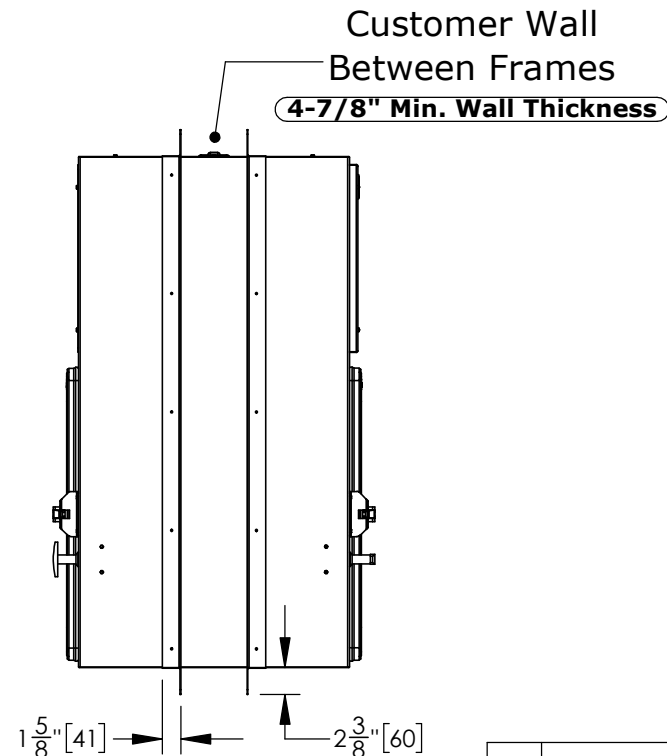
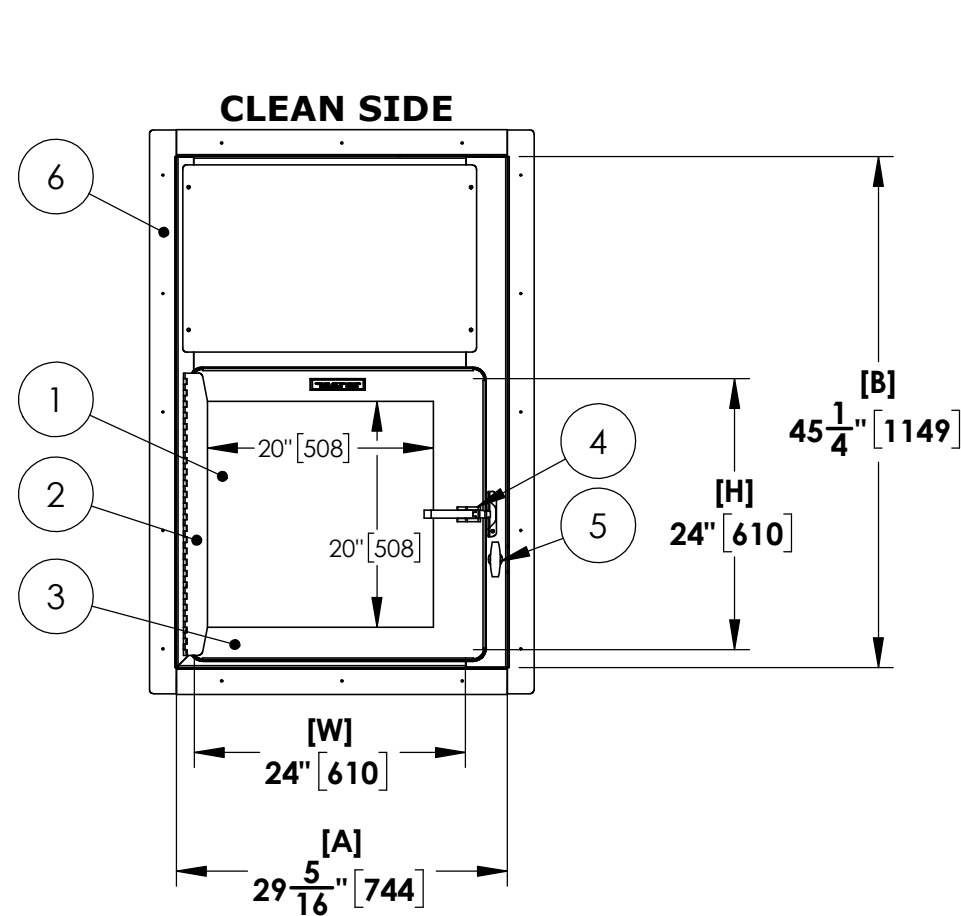
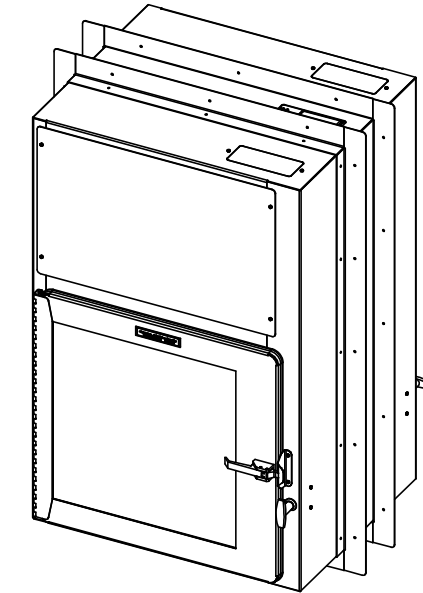
Pass Thru Interlock Operation (One Hand):

Turn The Interlock Handle (5) 90° To Unlock The Side, Then Pull The Door Latch (4) To Open The Door.
(Only one side can be unlocked at a time)

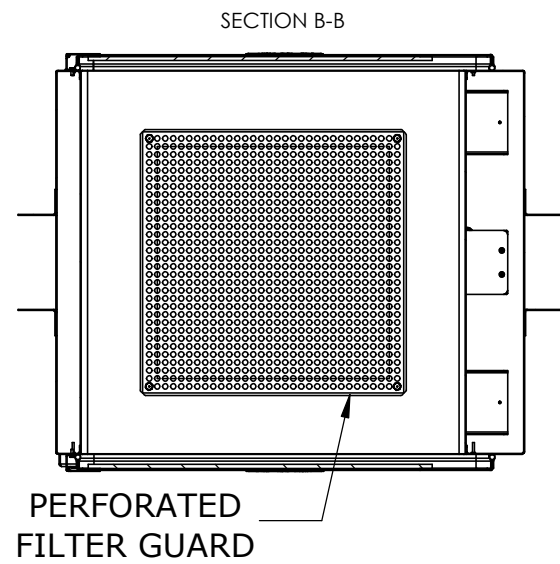
Specify Dirty Side Door Swing When Placing Order

Pass Thru Dimensions:

W = Inside Width
H = Inside Height
D = Inside Depth
A = W + 5 5/16''
B = H + 21 1/4''

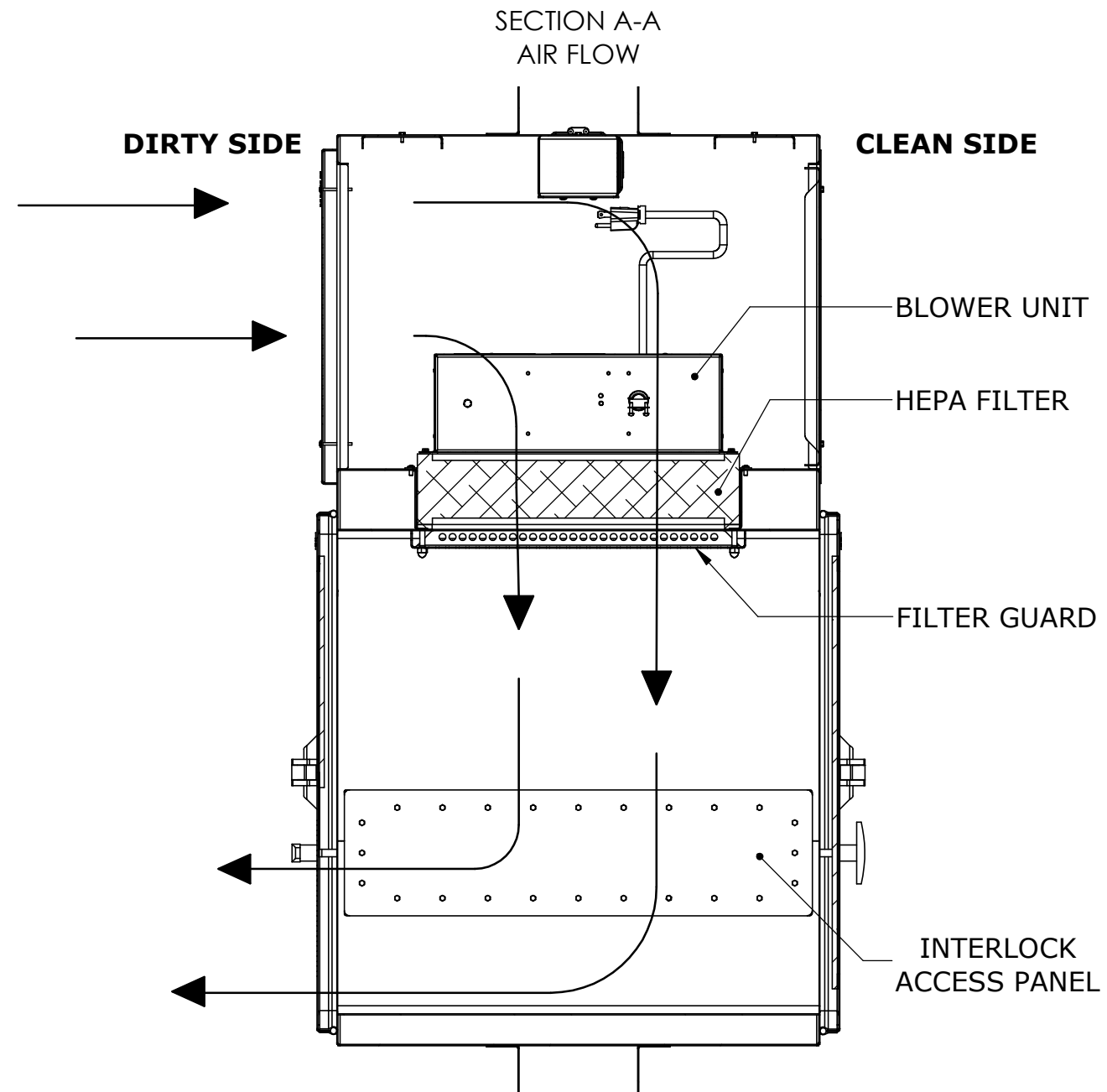
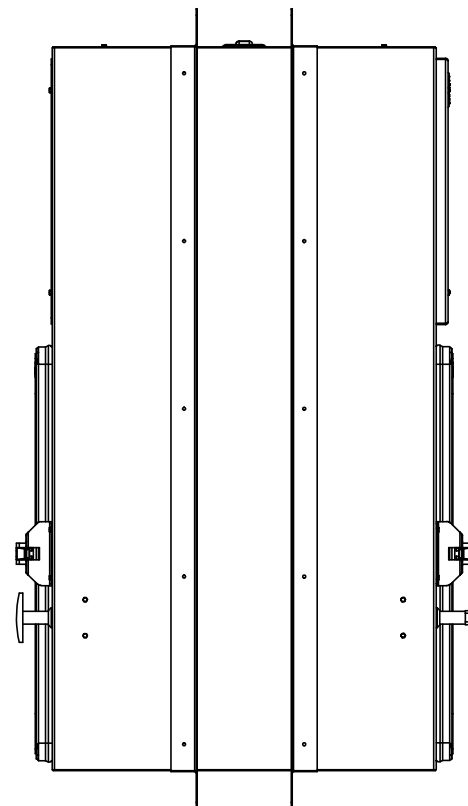
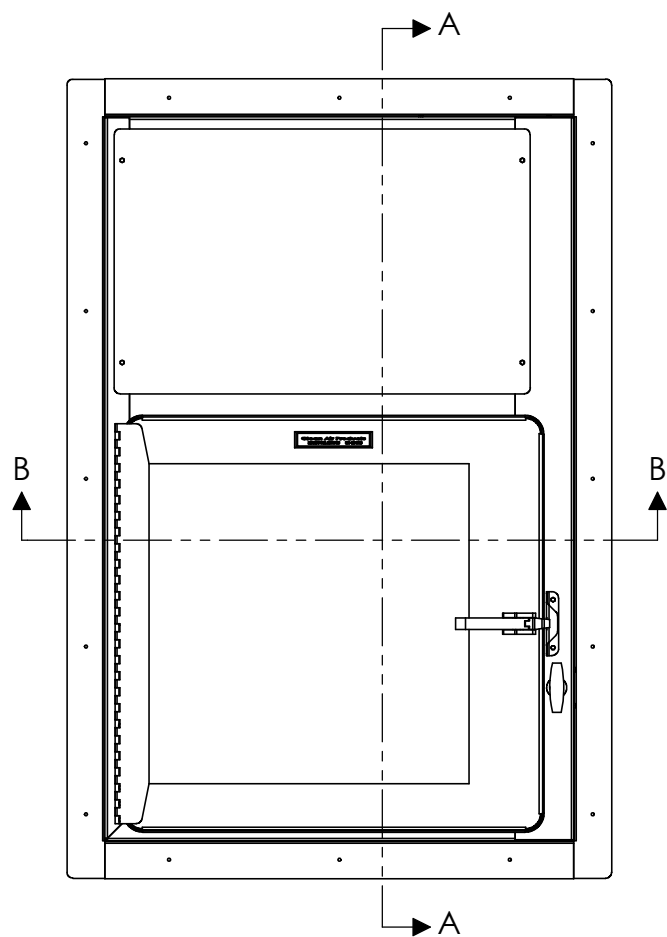
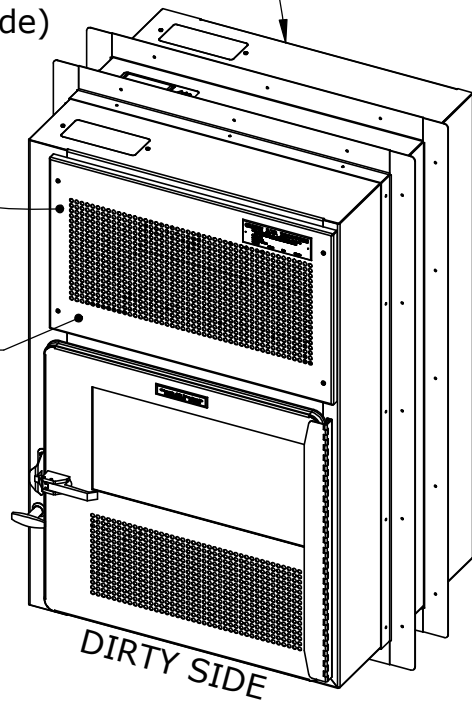


© COPYRIGHT 2010 CLEAN AIR PRODUCTS	Clean Air PRODUCTS 8605 WYOMING AVENUE NORTH • MINNEAPOLIS, MN 55445 800-423-9728 • ph: 763-425-9122 • fax:763-425-2004 www.cleanairproducts.com				
	DESCRIPTION. Pass Thru - Wall Mount, HEPA Filter, Stainless Steel -18WFBHF-SST-24Wx24Hx24D				
	QUOTE NO.				
	DO NOT SCALE	DATE DRAWN 02/25/2020	QUOTE FORM 098796	REV 1	SHEET 1 of 2



Filter Covers Are Interchangeable (Clean/Dirty Side)

Filter Cover Access Panel



© COPYRIGHT 2010
CLEAN AIR PRODUCTS

Clean Air PRODUCTS 8605 WYOMING AVENUE NORTH • MINNEAPOLIS, MN 55445
800-423-9728 • ph: 763-425-9122 • fax: 763-425-2004
www.cleanairproducts.com

DESCRIPTION: **Pass Thru - Wall Mount, HEPA Filter, Stainless Steel -18WFBHF-SST-24Wx24Hx24D**

QUOTE NO.

DO NOT SCALE	DATE DRAWN 02/25/2020	QUOTE FORM 098796	REV 1	SHEET 2 of 2
---------------------	--------------------------	----------------------	----------	-----------------