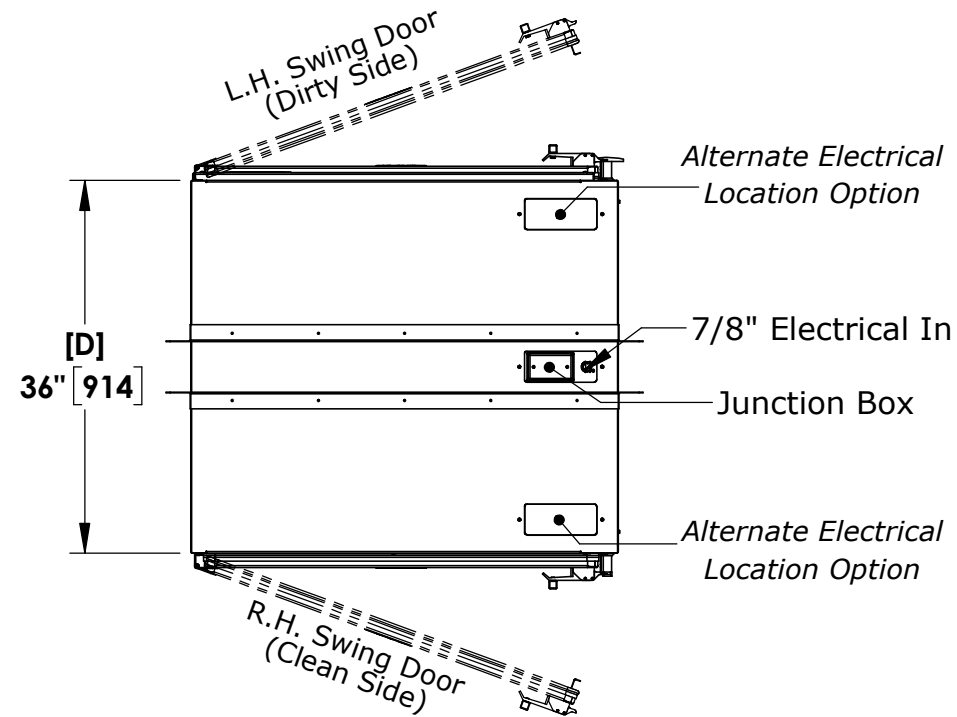


NOTES: UNLESS OTHERWISE SPECIFIED

1. DIMENSIONS ARE IN INCHES (mm).



Features:

1. Clear Tempered Safety Glass
2. Stainless Steel Flush Mount Hinge
3. Stainless Steel Door Frame
4. Dual Over Center Compression Latches With Linkage Bar - Stainless Steel

Options Shown:

5. Mechanical Interlock, Non-Locking, Stainless Steel T-Handles
6. 8 Pc. Universal Stainless Steel Mounting Frame Set

Notes:

- Cabinet Material: Stainless Steel, Type 304, #4 Finish
- Electrical Requirements: 120V, 60Hz, 1.2A
- Interlocking and Non-interlocking Units Have The Same Exterior Dimensions Unless Noted.
- Wall Cutout is $41-13/16'' \times 57-3/4''$
($[A] + 1/2'' \times [B] + 1/2''$)
- Minimum Wall Thickness is 4-7/8"
- Usable Interior Height = $[H] - 1-3/8''$ (Due To Filter Guard)

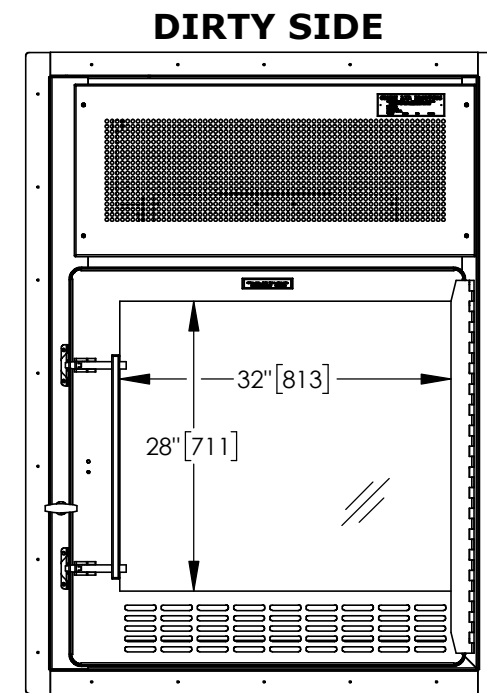
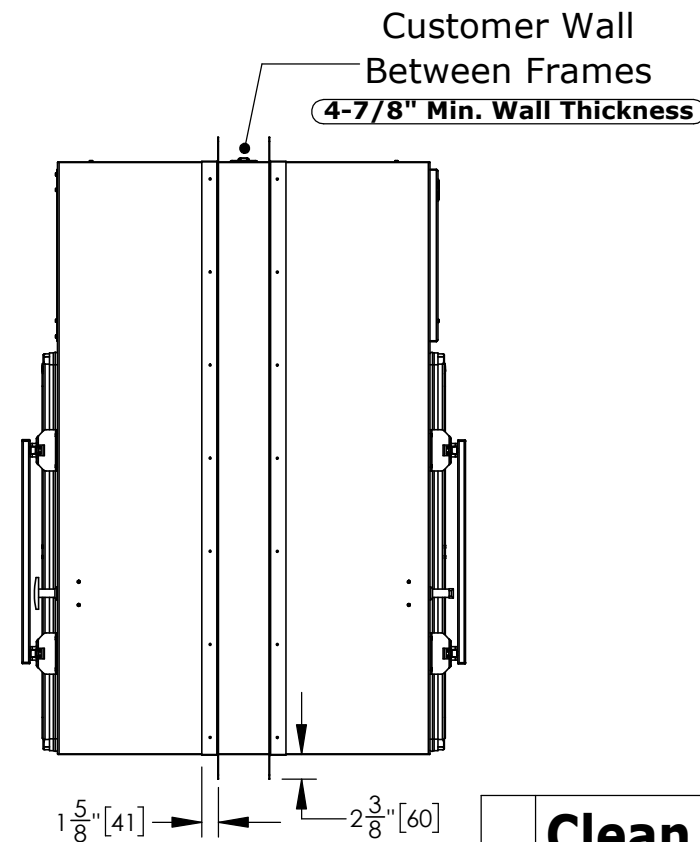
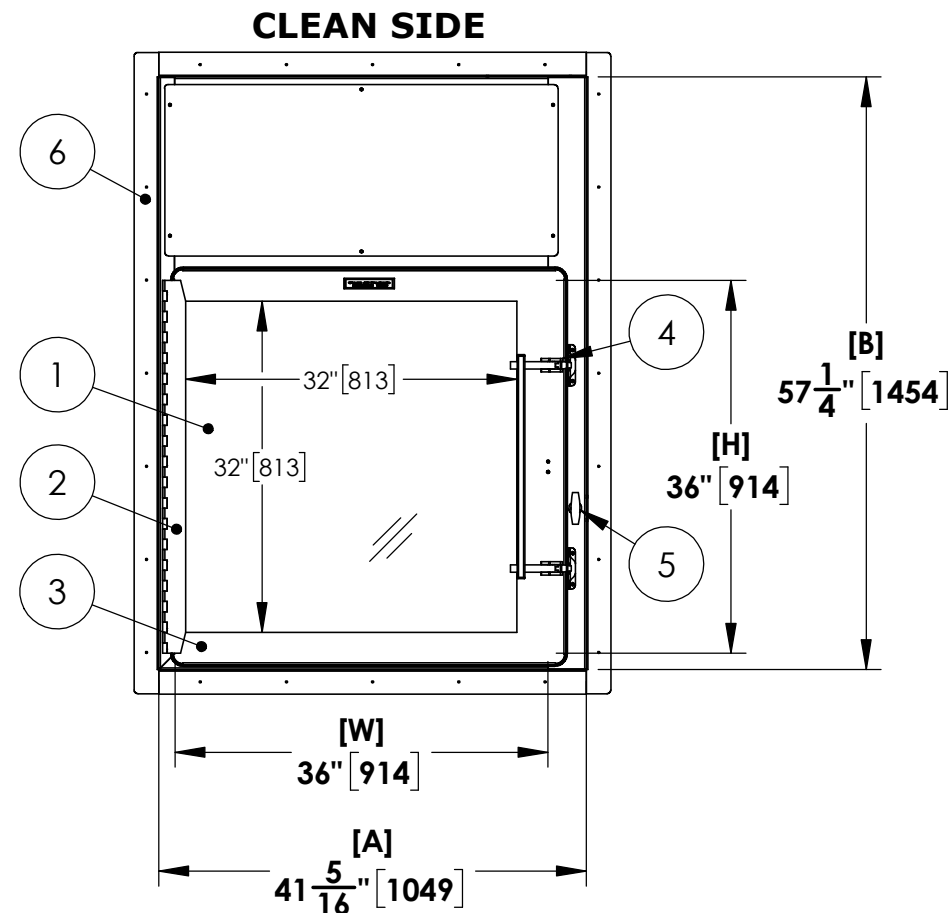
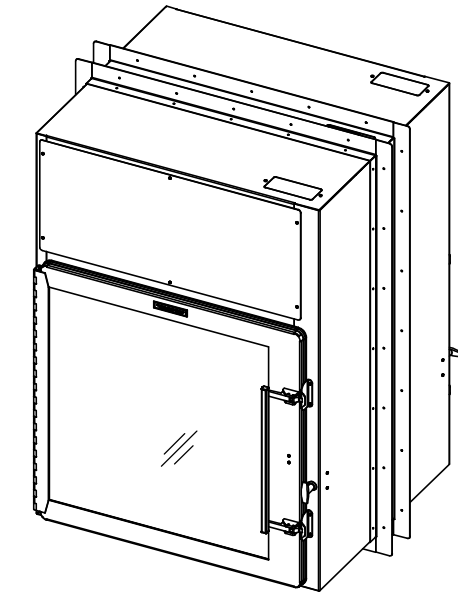
Pass Thru Interlock Operation (One Hand):

Turn The Interlock Handle (5) 90° To Unlock The Side, Then Pull The Door Latch (4) To Open The Door. (Only one side can be unlocked at a time)

Specify Dirty Side Door Swing When Placing Order

Pass Thru Dimensions:

W = Inside Width
H = Inside Height
D = Inside Depth
A = W + 5 5/16"
B = H + 21 1/4"

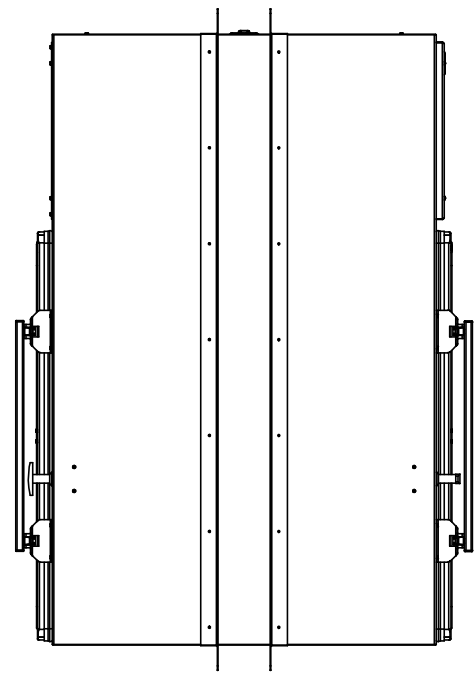
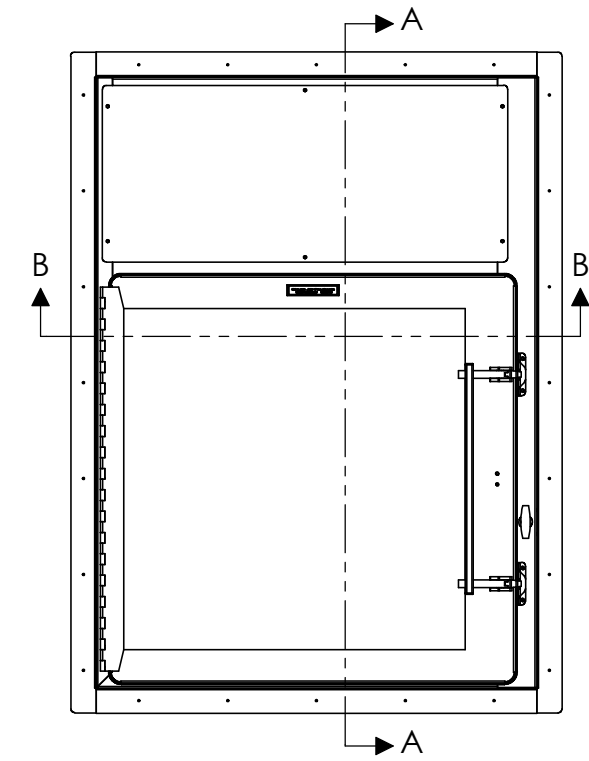
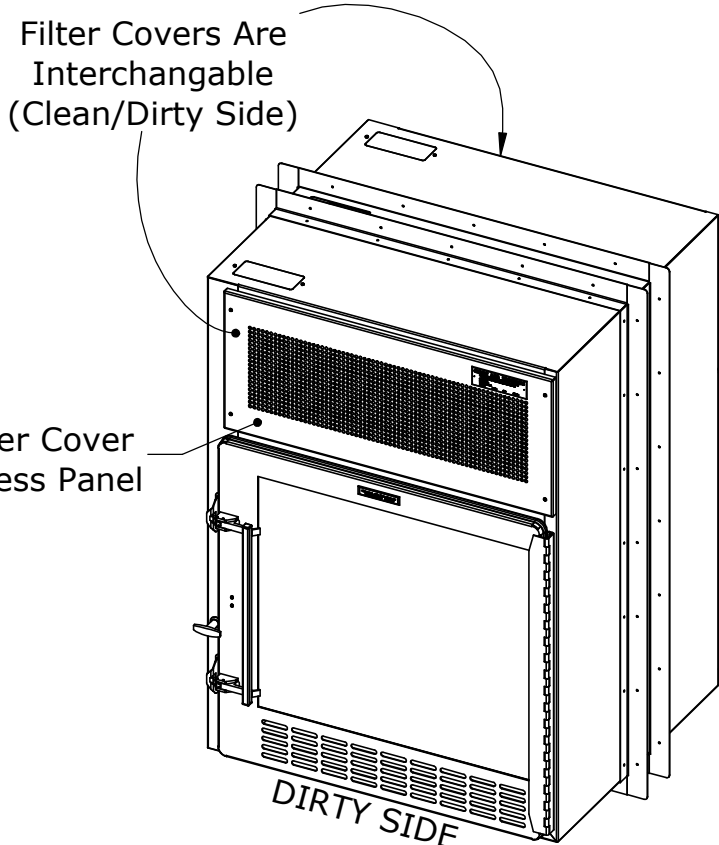
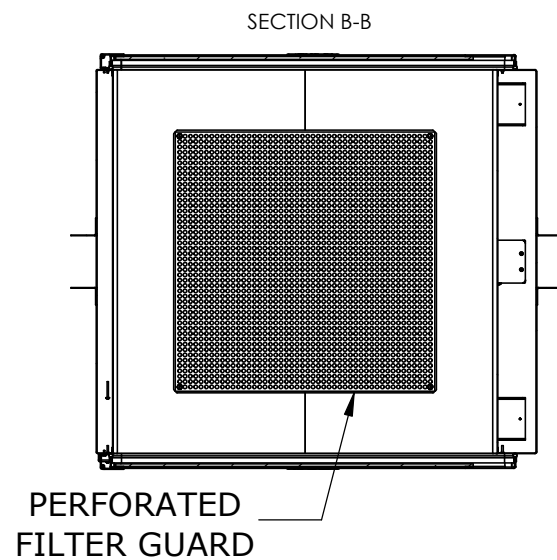


| | | | | | |
|--|---|--------------------------|----------------------|----------|-----------------|
| © COPYRIGHT 2010 CLEAN AIR PRODUCTS | Clean Air PRODUCTS 8605 WYOMING AVENUE NORTH • MINNEAPOLIS, MN 55445 800-423-9728 • ph: 763-425-9122 • fax:763-425-2004 www.cleanairproducts.com | | | | |
| | DESCRIPTION. Pass Thru - Wall Mount, HEPA Filter, Stainless Steel -18WFBHF-SST-36Wx36Hx36D | | | | |
| | QUOTE NO. | | | | |
| | DO NOT SCALE | DATE DRAWN 02/25/2020 | QUOTE FORM 107530 | REV 1 | SHEET 1 of 2 |

Filter Covers Are Interchangeable (Clean/Dirty Side)

Filter Cover Access Panel

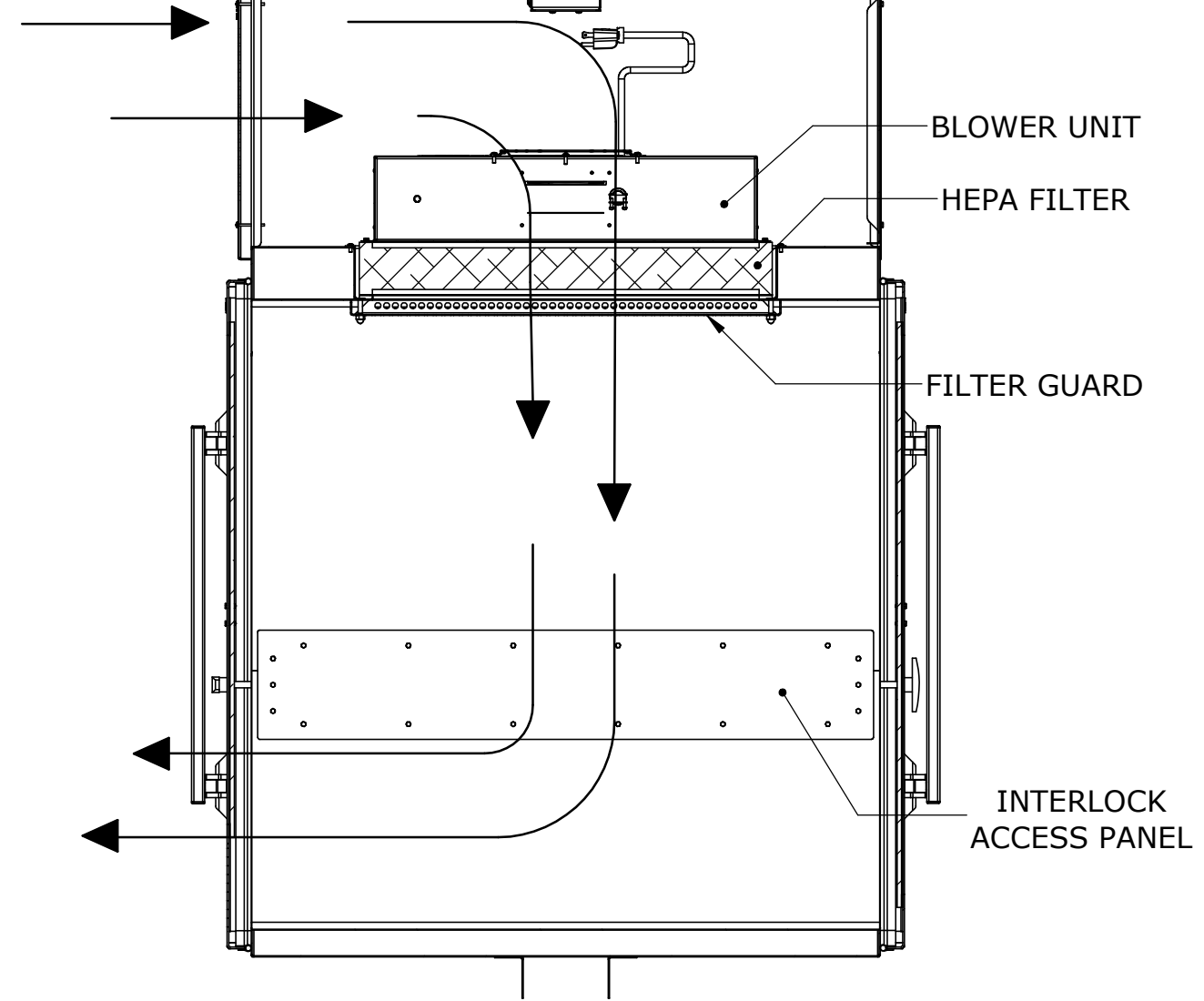
DIRTY SIDE



SECTION A-A
AIR FLOW

DIRTY SIDE

CLEAN SIDE



Clean Air PRODUCTS 8605 WYOMING AVENUE NORTH • MINNEAPOLIS, MN 55445
 800-423-9728 • ph: 763-425-9122 • fax: 763-425-2004
 www.cleanairproducts.com

DESCRIPTION: **Pass Thru - Wall Mount, HEPA Filter, Stainless Steel -18WFBHF-SST-36Wx36Hx36D**

QUOTE NO.

| | | | | |
|---------------------|--------------------------|----------------------|----------|-----------------|
| DO NOT SCALE | DATE DRAWN 02/25/2020 | QUOTE FORM 107530 | REV 1 | SHEET 2 of 2 |
|---------------------|--------------------------|----------------------|----------|-----------------|

© COPYRIGHT 2010 CLEAN AIR PRODUCTS