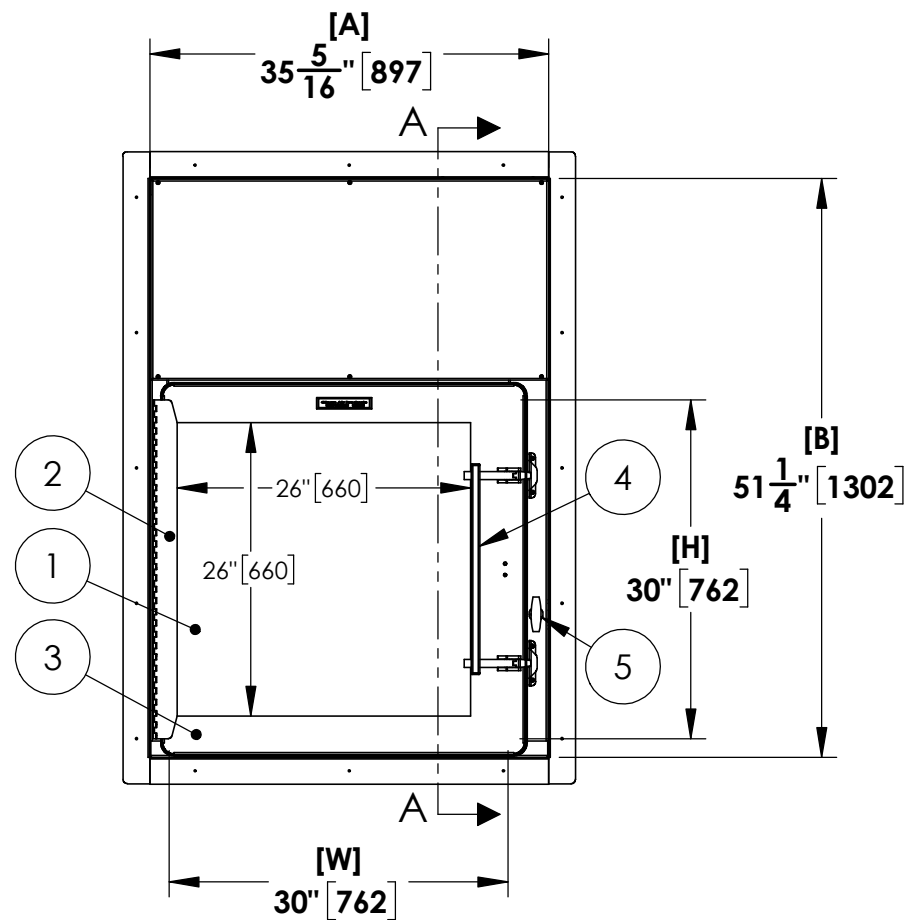
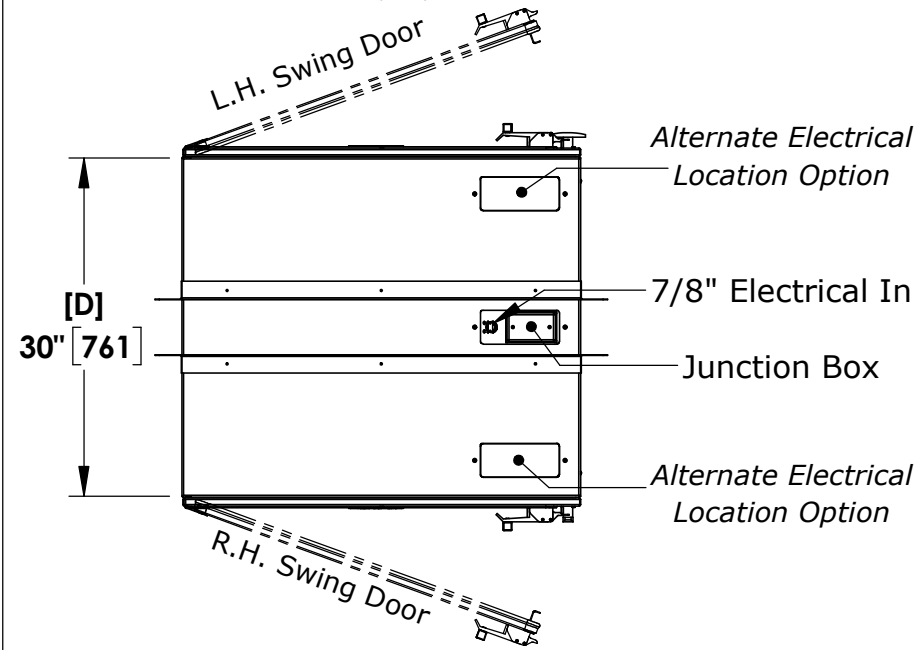


NOTES: UNLESS OTHERWISE SPECIFIED

1. DIMENSIONS ARE IN INCHES (mm).



**Features:**

1. Clear Tempered Safety Glass
2. Stainless Steel Flush Mount Hinge
3. Stainless Steel Door Frame
4. Dual Over Center Compression Latches With Linkage Bar - Stainless Steel

**Options Shown:**

5. Mechanical Interlock, Non-Locking, Stainless Steel T-Handles
6. 8 Pc. Universal Stainless Steel Mounting Frame Set

**Notes:**

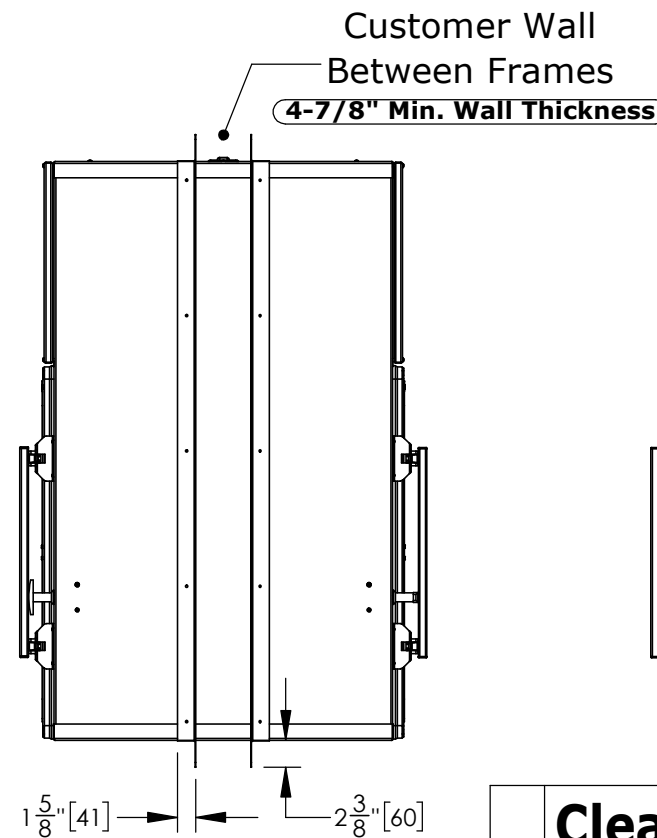
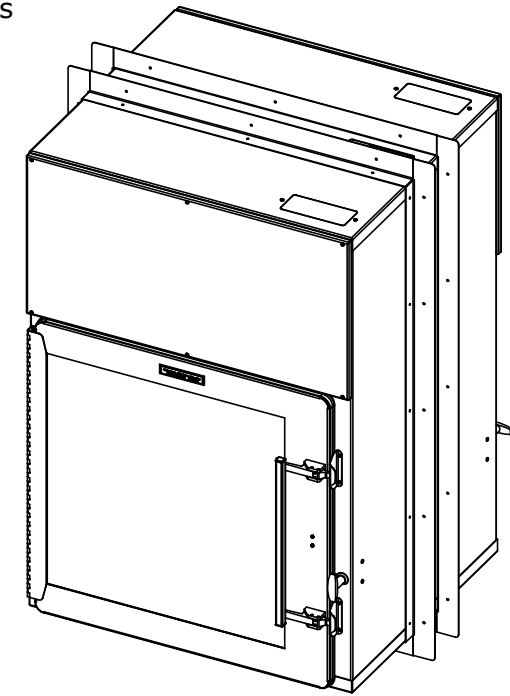
- Cabinet Material: Stainless Steel, Type 304, #4 Finish
- Electrical Requirements: 120V, 60Hz, 1.2A
- Interlocking and Non-interlocking Units Have The Same Exterior Dimensions Unless Noted.
- Wall Cutout is **35-13/16" x 51-3/4"**  
([A] + 1/2" x [B] + 1/2")
- Minimum Wall Thickness is 4-7/8"

**Pass Thru Interlock Operation (One Hand):**

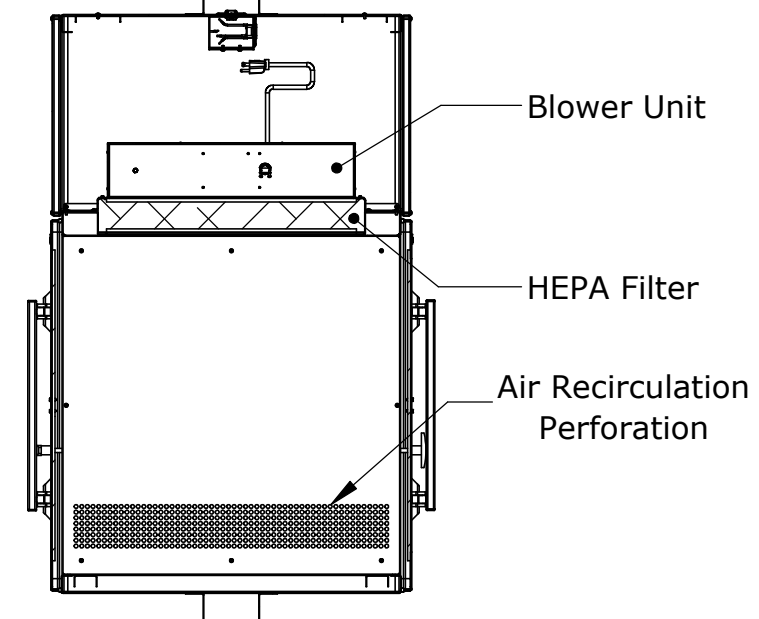
Turn The Interlock Handle ⑤ 90° To Unlock The Side, Then Pull The Door Latch ④ To Open The Door.  
(Only one side can be unlocked at a time)

**Pass Thru Dimensions:**

**W = Inside Width**  
**H = Inside Height**  
**D = Inside Depth**  
**A = W + 5 5/16"**  
**B = H + 21 1/4"**



**SECTION A-A**



© COPYRIGHT 2010 CLEAN AIR PRODUCTS	<b>Clean Air PRODUCTS</b> 8605 WYOMING AVENUE NORTH • MINNEAPOLIS, MN 55445 800-423-9728 • ph: 763-425-9122 • fax:763-425-2004 www.cleanairproducts.com				
	DESCRIPTION. <b>Pass Thru - Wall Mount, HEPA Filter, Stainless Steel - 18WHF-SST-30Wx30Hx30D</b>				
	QUOTE NO.				
<b>DO NOT SCALE</b>	DATE DRAWN 02/25/2020	QUOTE FORM 107542	REV 1	SHEET 1 of 1	