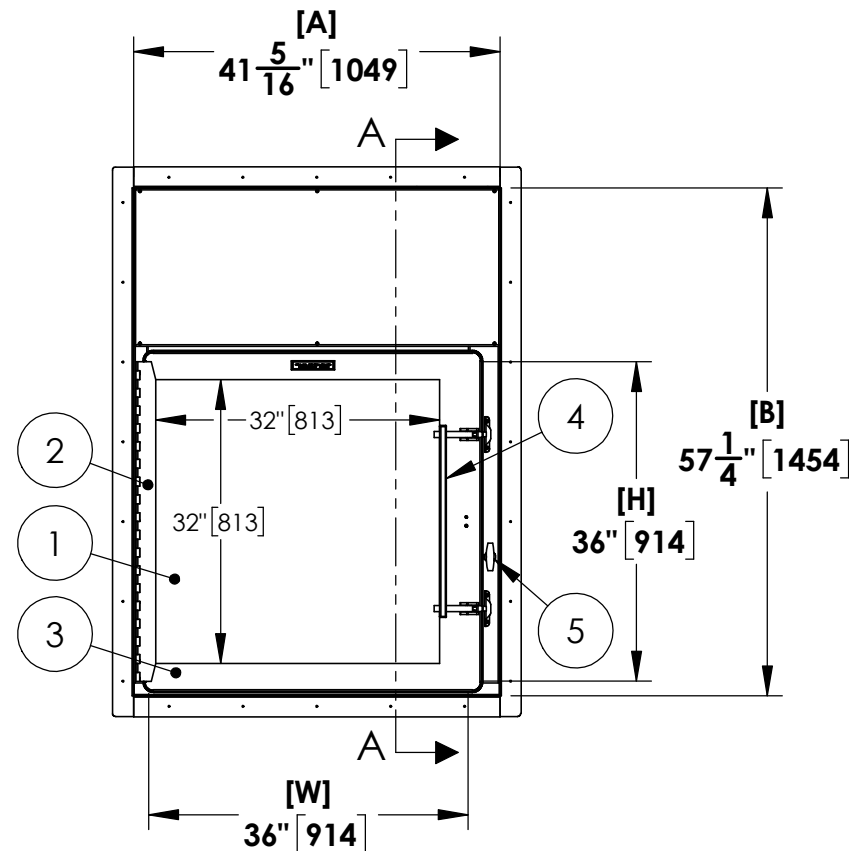
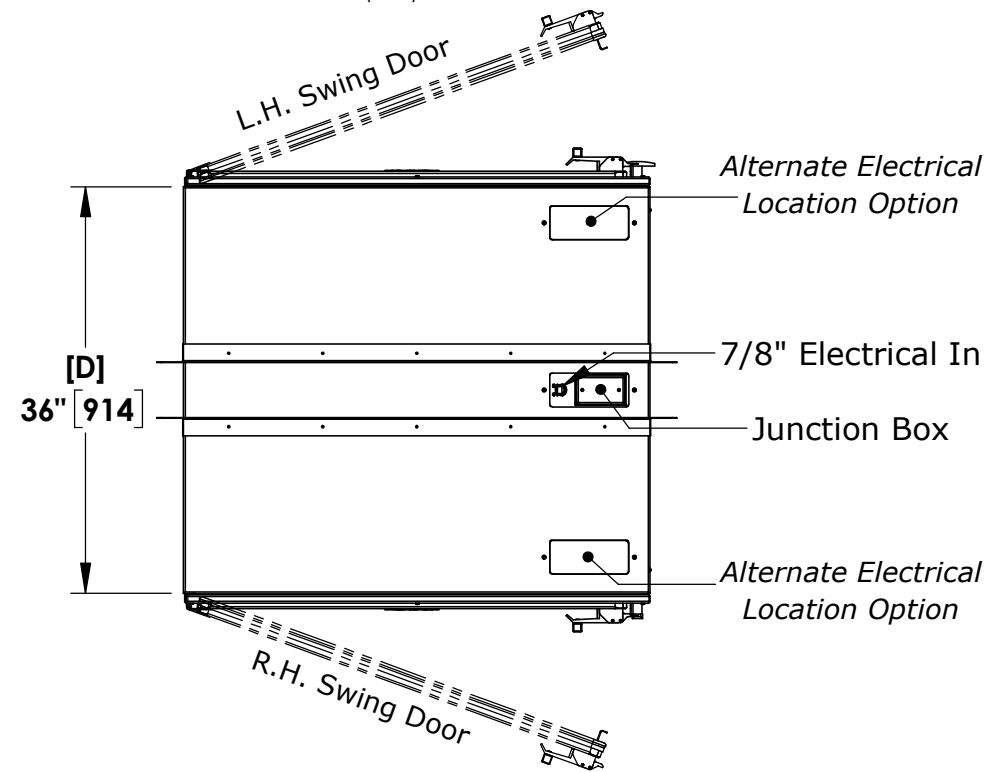


NOTES: UNLESS OTHERWISE SPECIFIED

1. DIMENSIONS ARE IN INCHES (mm).



Features:

1. Clear Tempered Safety Glass
2. Stainless Steel Flush Mount Hinge
3. Stainless Steel Door Frame
4. Dual Over Center Compression Latches With Linkage Bar - Stainless Steel

Options Shown:

5. Mechanical Interlock, Non-Locking, Stainless Steel T-Handles
6. 8 Pc. Universal Stainless Steel Mounting Frame Set

Notes:

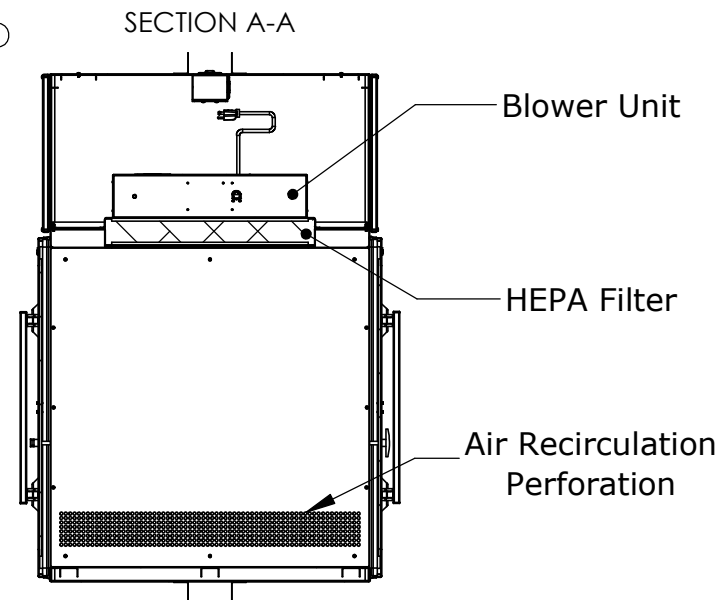
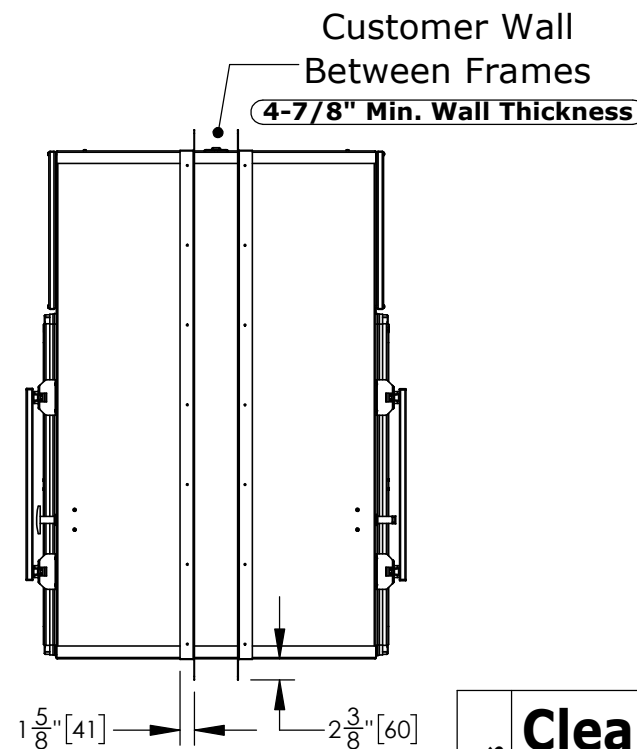
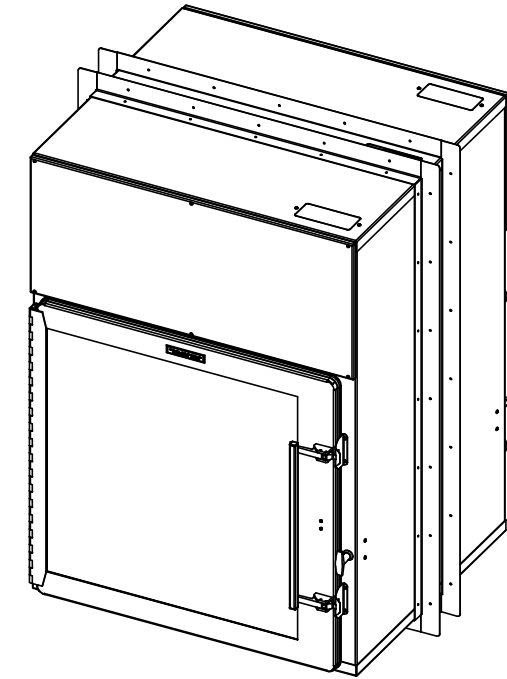
- Cabinet Material: Stainless Steel, Type 304, #4 Finish
- Electrical Requirements: 120V, 60Hz, 1.2A
- Interlocking and Non-interlocking Units Have The Same Exterior Dimensions Unless Noted.
- Wall Cutout is **41-13/16" x 57-3/4"**
([A] + 1/2" x [B] + 1/2")
- Minimum Wall Thickness is 4-7/8"

Pass Thru Interlock Operation (One Hand):

Turn The Interlock Handle ⑤ 90° To Unlock The Side, Then Pull The Door Latch ④ To Open The Door. (Only one side can be unlocked at a time)

Pass Thru Dimensions:

W = Inside Width
H = Inside Height
D = Inside Depth
A = W + 5 5/16"
B = H + 21 1/4"



© COPYRIGHT 2010 CLEAN AIR PRODUCTS	Clean Air PRODUCTS 8605 WYOMING AVENUE NORTH • MINNEAPOLIS, MN 55445 800-423-9728 • ph: 763-425-9122 • fax:763-425-2004 www.cleanairproducts.com				
	DESCRIPTION. Pass Thru - Wall Mount, HEPA Filter, Stainless Steel - 18WHF-SST-36Wx36Hx36D				
	QUOTE NO.				
	DO NOT SCALE	DATE DRAWN 02/25/2020	QUOTE FORM 107544	REV 1	SHEET 1 of 1